

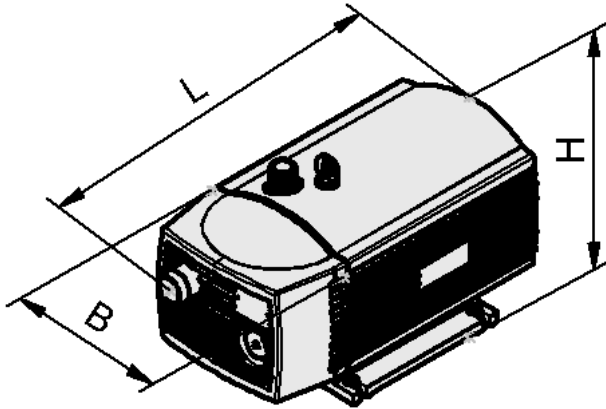
Art.-Nr.: 11.01.43.00310



EVE-TR 50 AC3 VBV

Technical data

Rated power at 50 Hz	1.25 kW
Rated power at 60 Hz	1.50 kW
Voltage at 50 Hz	190 - 255 V / 330 - 440 V AC3
Voltage at 60 Hz	190 - 290 V / 330 - 500 V AC3
Weight	38.500 kg
Suction rate (50 Hz)	50.000 m ³ /h
Suction rate (60 Hz)	60.000 m ³ /h
Sound pressure level at 50 Hz	67.0 dB(A)
Vacuum (50 Hz)	-600 mbar
Category	Electrical vacuum generation



Design data EVE-TR 50 AC3 VBV

Design data

Length L2	131.00 mm
Length L	572.00 mm
Width B2	51.00 mm
Width B	280.00 mm
Height H	290.00 mm
Internal diameter d	7.00 mm
Thread G2	G1"-F
Hole spacing X1	220.0 mm
Thread G3	G1"-F

Art.-Nr.: 11.01.43.00310



Technical data

Protection type IP	IP 55
Rated power at 50 Hz	1.25 kW
Rated power at 60 Hz	1.50 kW
Voltage at 50 Hz	190 - 255 V / 330 - 440 V AC3
Voltage at 60 Hz	190 - 290 V / 330 - 500 V AC3
Weight	38.500 kg
Suction rate (50 Hz)	50.000 m ³ /h
Suction rate (60 Hz)	60.000 m ³ /h
Sound pressure level at 50 Hz	67.0 dB(A)
Category	Electrical vacuum generation

