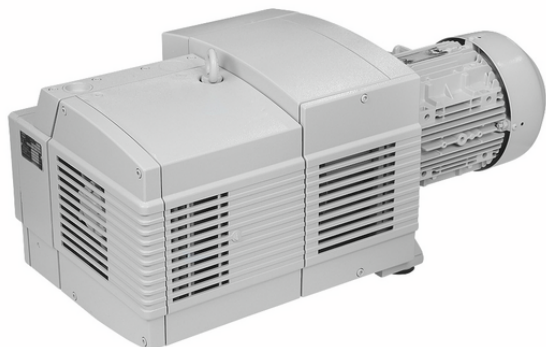


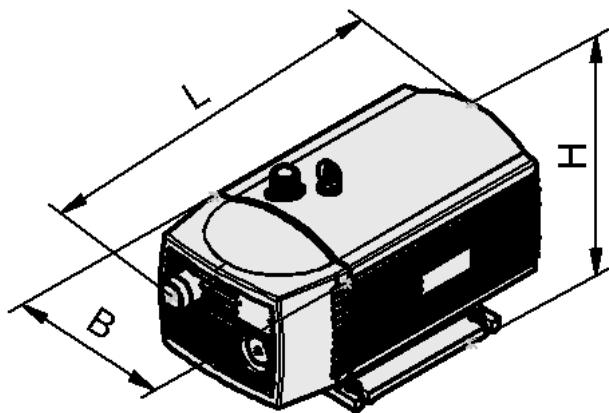
Art.-Nr.: 11.01.43.00175



EVE-TR 80 AC3 IE3-TYP2 VBV

Technical data

Rated power at 60 Hz	2.60 kW
Voltage at 60 Hz	YY230 / Y460 V ±10 %
Weight	86.000 kg
Suction rate (60 Hz)	78.500 m ³ /h
Version	IE3:US/CAN
Vacuum (50 Hz)	-600 mbar
Approval	UL/CSA
Category	Electrical vacuum generation



Design data EVE-TR 80 AC3 IE3-TYP2 VBV

Design data

Length L2	96.00 mm
Length L	747.00 mm
Width B2	48.00 mm
Width B	353.00 mm
Height H1	420.00 mm
Height H2	75.00 mm
Height H	328.00 mm

Vacuum pump

EVE-TR 80 AC3 IE3-TYP2 VBV



Art.-Nr.: 11.01.43.00175



Technical data

Weight

86.000 kg



WWW.SCHMALZ.COM/11.01.43.00175