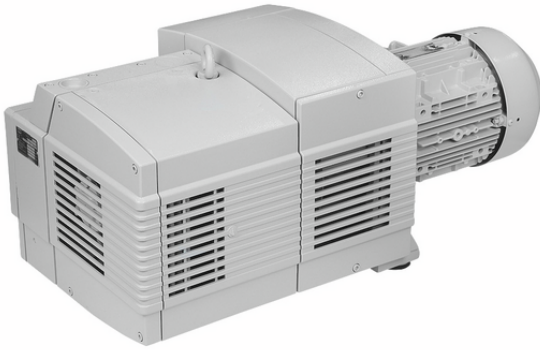


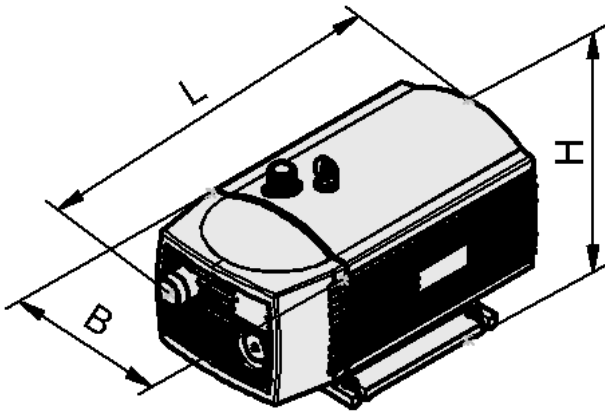
Art.-Nr.: 11.01.43.00172



EVE-TR 80 AC3 IE3-TYP3 VBV

Technical data

Rated power at 50 Hz	2.20 kW
Rated power at 60 Hz	2.60 kW
Voltage at 50 Hz	D200 / Y350 V ±10 % (without IE3)
Voltage at 60 Hz	D220 V / Y380 - 400 V ±10 %
Weight	78.000 kg
Suction rate (50 Hz)	67.000 m ³ /h
Suction rate (60 Hz)	78.500 m ³ /h
Sound pressure level at 50 Hz	72.0 dB(A)
Version	IE3:JPN/KOR/BRA
Vacuum (50 Hz)	-600 mbar
Approval	UL/CSA
Category	Electrical vacuum generation



Design data EVE-TR 80 AC3 IE3-TYP3 VBV

Design data

Length L2	96.00 mm
Length L	747.00 mm
Width B2	48.00 mm
Width B	353.00 mm
Height H1	420.00 mm
Height H2	75.00 mm
Height H	328.00 mm
Internal diameter d	12.00 mm
Thread G2	G1-1/4"-M
Hole spacing X1	326.0 mm
Thread G3	G1"-F
Thread G5	M8-F

Art.-Nr.: 11.01.43.00172



Technical data

Protection type IP	IP 55
Rated power at 50 Hz	2.20 kW
Rated power at 60 Hz	2.60 kW
Voltage at 50 Hz	D200 / Y350 V ±10 % (without IE3)
Voltage at 60 Hz	D220 V / Y380 - 400 V ±10 %
Weight	78.000 kg
Suction rate (50 Hz)	67.000 m ³ /h
Suction rate (60 Hz)	78.500 m ³ /h
Sound pressure level at 50 Hz	72.0 dB(A)
Version	IE3:JPN/KOR/BRA
Category	Electrical vacuum generation

