

# Control Unit mGrip SRCU-Mini-D-M



Art.-Nr.: 10.13.07.00174

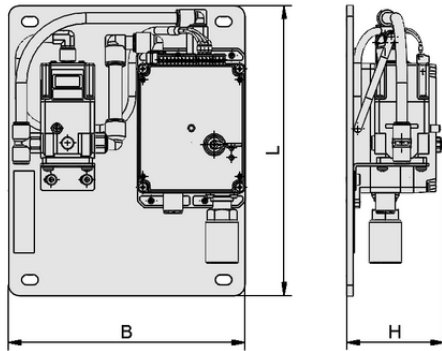


## Technical data

Inputs / outputs	Digital
Weight	2,910.00 g
Voltage DC	24 V - DC
Pressure range (operating pressure) [bar]	5.9 ... 6.9 bar
Version	mounted on mounting plate
Length L	270.00 mm
Width B	220.00 mm
Height H	90.40 mm

SRCU-Mini-D-M

The control module SRCU Mini can be delivered either assembled (M) or unassembled (UM). The control module SRCU Basic is delivered assembled.



## Design data

Length L	270.00 mm
Width B	220.00 mm
Height H	90.40 mm

Design data SRCU-Mini-D-M



[WWW.SCHMALZ.COM/10.13.07.00174](http://WWW.SCHMALZ.COM/10.13.07.00174)

1

Art.-Nr.: 10.13.07.00174



### Technical data

Inputs / outputs	Digital
Weight	2,910.00 g
Voltage DC	24 V - DC
Pressure range (operating pressure) [bar]	5.9 ... 6.9 bar
Pressure max.	6.90 bar
Version	mounted on mounting plate



### Ordering Data Accessories 10.13.07.00174

Typ		Item number
Vacuum hose (meter)	VSL 8-6 PU MI-TR	10.07.09.00003
Vacuum hose (meter)	VSL 10-7 PU MI-TR	10.07.09.00084
Compressed-air hose	VSL 8-6 PE BL	10.07.09.00015
Vacuum hose (meter)	VSL 10-7 PE MI-TR	10.07.09.00083
Compressed-air hose	VSL 12-9 PE BL	10.07.09.00050
Vacuum hose (meter)	VSL 12-9 PU MI-TR	10.07.09.00037

