

Control Unit mGrip SRCU-Mini-UR-M



Art.-Nr.: 10.13.07.00163

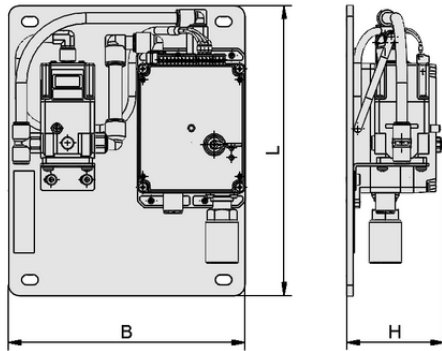


Technical data

Inputs / outputs	Universal Robots
Weight	2,820.00 g
Voltage DC	24 V - DC
Pressure range (operating pressure) [bar]	5.9 ... 6.9 bar
Version	mounted on mounting plate
Length L	212.00 mm
Width B	187.00 mm
Height H	125.00 mm

SRCU-Mini-UR-M

The control module SRCU Mini can be delivered either assembled (M) or unassembled (UM). The control module SRCU Basic is delivered assembled.



Design data

Length L	212.00 mm
Width B	187.00 mm
Height H	125.00 mm

Design data SRCU-Mini-UR-M



WWW.SCHMALZ.COM/10.13.07.00163

1

Art.-Nr.: 10.13.07.00163



Technical data

Inputs / outputs	Universal Robots
Weight	2,820.00 g
Voltage DC	24 V - DC
Pressure range (operating pressure) [bar]	5.9 ... 6.9 bar
Pressure max.	6.90 bar
Version	mounted on mounting plate



Ordering Data Accessories 10.13.07.00163

Typ		Item number
Vacuum hose (meter)	VSL 8-6 PU MI-TR	10.07.09.00003
Vacuum hose (meter)	VSL 10-7 PU MI-TR	10.07.09.00084
Compressed-air hose	VSL 8-6 PE BL	10.07.09.00015
Vacuum hose (meter)	VSL 10-7 PE MI-TR	10.07.09.00083
Compressed-air hose	VSL 12-9 PE BL	10.07.09.00050
Vacuum hose (meter)	VSL 12-9 PU MI-TR	10.07.09.00037

