

# FINGER-COMP-SET BASE IND

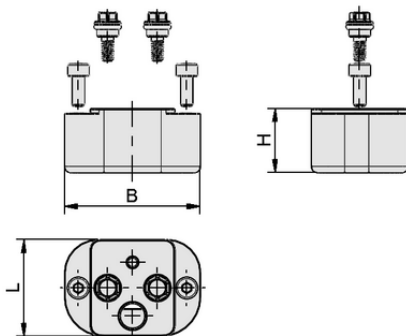
Art.-Nr.: 10.13.04.00590



## Technical data

Utilization design	Finger base
Application	Industrial
Finger element	Component set

FINGER-COMP-SET BASE IND



## Design data

Length L	32.00 mm
Width B	45.00 mm
Height H	21.15 mm

Design data FINGER-COMP-SET BASE IND



## Technical data

Weight	60.00 g
--------	---------

