

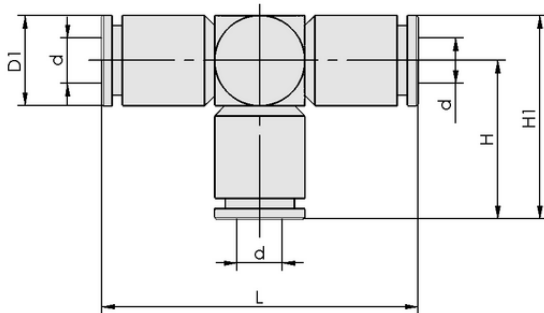


Technical data

Material	Brass
Operating temperature	°C
Length L	72.00 mm
Outer hose diameter	14.00 mm

SVB-T 14

The push-in fittings are supplied in the desired design.



Design data

Length L	72.00 mm
Height H1	46.50 mm
Height H	36.00 mm
Outside diameter D1	21.3 mm
Internal diameter d	14.00 mm

Design data SVB-T 14

Plug connector, T

SVB-T 14



Art.-Nr.: 10.09.02.00046



Technical data

Weight	141.70 g
Material	Brass
Design hose type	14-11
Pressure range (operating pressure) [bar]	bar
Operating temperature	°C
Product family	STV



Ordering Data Accessories 10.09.02.00046

Typ		Item number
Vacuum hose (meter)	VSL 14-11 PU MI-TR	10.07.09.00038



WWW.SCHMALZ.COM/10.09.02.00046