

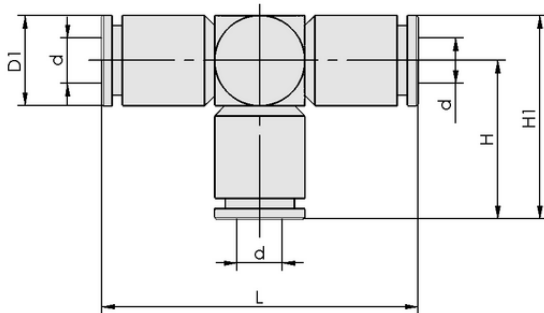


Technical data

Material	Brass
Operating temperature	-20 ... 80 °C
Length L	42.00 mm
Outer hose diameter	6.00 mm

SVB-T 6

The push-in fittings are supplied in the desired design.



Design data

Length L	42.00 mm
Height H1	27.00 mm
Height H	21.00 mm
Outside diameter D1	11.9 mm
Internal diameter d	6.00 mm

Design data SVB-T 6

Art.-Nr.: 10.09.02.00021



Technical data

Weight	25.00 g
Material	Brass
Design hose type	6-4
Pressure range (operating pressure) [bar]	-0.95 ... 15.00 bar
Operating temperature	-20 ... 80 °C
Product family	STV



Ordering Data Accessories 10.09.02.00021

Typ		Item number
Compressed-air hose	VSL 6-4 PE BL	10.07.09.00014
Vacuum hose (meter)	VSL 6-4 PTFE MI-TR	10.07.09.00157
Vacuum hose (meter)	VSL 6-4 PU MI-TR	10.07.09.00002

