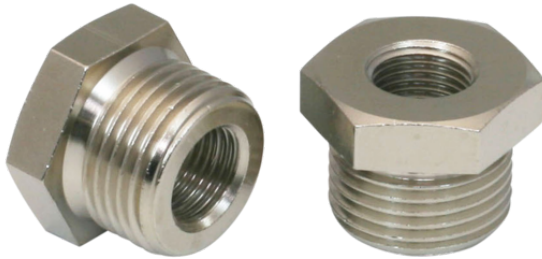


Reduction piece with hexagon

RED-STK G3/8-AG G1/8-IG MS-V



Art.-Nr.: 10.08.04.00093

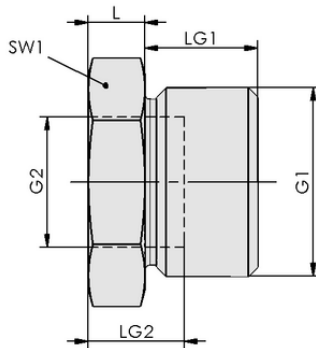


Technical data

Material	Brass
Length L	5.00 mm
Thread G1	G3/8"-M
Thread G2	G1/8"-F
Surface	nickel plated

RED-STK G3/8-AG G1/8-IG MS-V

The accessories for screw fittings are supplied in the desired design.



Design data

Length L	5.00 mm
Thread G1	G3/8"-M
Thread length LG1	10.0 mm
Thread G2	G1/8"-F
Thread length LG2	15.0 mm
Key width SW1	19.0 mm

Design data RED-STK G3/8-AG G1/8-IG MS-V



Technical data

Weight	21.00 g
Material	Brass



WWW.SCHMALZ.COM/10.08.04.00093

1