

Plug union, elbow

STV-WF G1/4-AG 10



Art.-Nr.: 10.08.02.00258

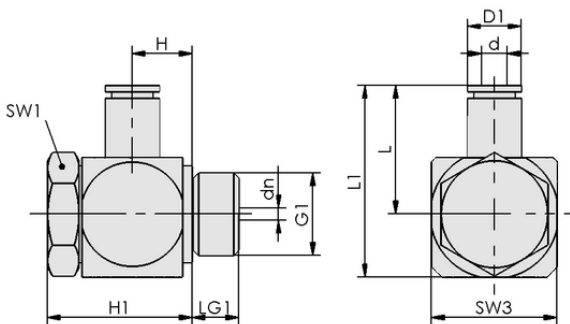


Technical data

Material	Nickel plated
Operating temperature	-10 ... 70 °C
Length L	27.80 mm
Thread G1	G 1/4"-M
Outer hose diameter	10.00 mm

STV-WF G1/4-AG 10

The push-in fittings are supplied in the desired design.



Design data

Length L1	37.70 mm
Length L	27.80 mm
Height H1	23.90 mm
Height H	10.00 mm
Outside diameter D1	16.6 mm
Nominal diameter dn	7.20 mm
Internal diameter d	10.00 mm
Thread G1	G 1/4"-M
Thread length LG1	6.7 mm
Key width SW1	17.0 mm
Key width SW3	20.0 mm

Design data STV-WF G1/4-AG 10



WWW.SCHMALZ.COM/10.08.02.00258

Plug union, elbow

STV-WF G1/4-AG 10



Art.-Nr.: 10.08.02.00258



Technical data

Weight	64.00 g
Material	Nickel plated
Design hose type	10-7
Pressure range (operating pressure) [bar]	-0.95 ... 15.00 bar
Operating temperature	-10 ... 70 °C
Product family	STV



Ordering Data Accessories 10.08.02.00258

Typ		Item number
Vacuum hose (meter)	VSL 10-7 PE MI-TR	10.07.09.00083
Vacuum hose (meter)	VSL 10-7 PU MI-TR	10.07.09.00084



WWW.SCHMALZ.COM/10.08.02.00258