

Plug union, elbow

STV-WF G1/8-AG 4



Art.-Nr.: 10.08.02.00166

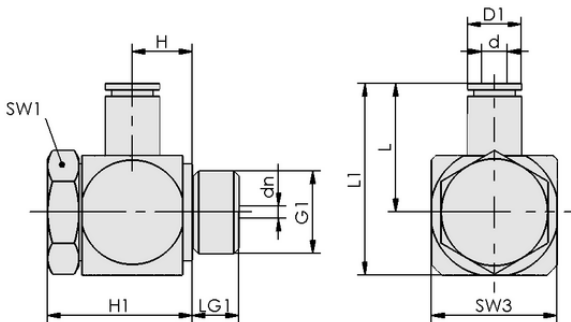


Technical data

Material	Nickel plated
Operating temperature	-10 ... 70 °C
Length L	17.40 mm
Thread G1	G 1/8"-M
Outer hose diameter	4.00 mm

STV-WF G1/8-AG 4

The push-in fittings are supplied in the desired design.



Design data

Length L1	25.30 mm
Length L	17.40 mm
Height H1	23.60 mm
Height H	9.80 mm
Outside diameter D1	8.6 mm
Nominal diameter dn	5.40 mm
Internal diameter d	4.00 mm
Thread G1	G 1/8"-M
Thread length LG1	5.0 mm
Key width SW1	14.0 mm
Key width SW3	16.0 mm

Design data STV-WF G1/8-AG 4



WWW.SCHMALZ.COM/10.08.02.00166

1

Plug union, elbow

STV-WF G1/8-AG 4



Art.-Nr.: 10.08.02.00166



Technical data

Weight	37.00 g
Material	Nickel plated
Design hose type	4-2
Pressure range (operating pressure) [bar]	-0.95 ... 15.00 bar
Operating temperature	-10 ... 70 °C
Product family	STV



Ordering Data Accessories 10.08.02.00166

Typ		Item number
Compressed-air hose	VSL 4-2 PE BL	10.07.09.00013
Vacuum hose (meter)	VSL 4-2 PU MI-TR	10.07.09.00001
Vacuum hose (meter)	VSL 4-2.7 PA MI-TR	10.07.09.00063



WWW.SCHMALZ.COM/10.08.02.00166