

Art.-Nr.: 10.07.13.00124

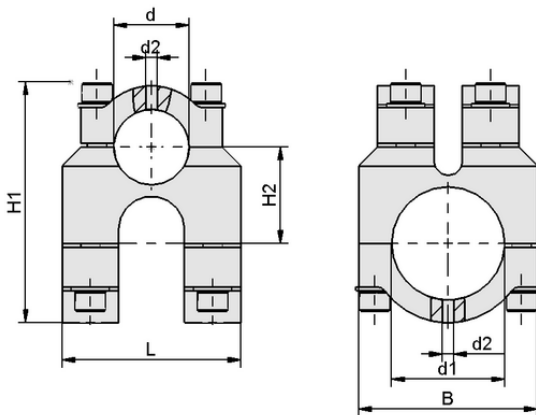
**Technical data**

| | |
|-------------------------|--------------------|
| Shape mounting elements | modular |
| Material | Aluminum |
| Utilization design | Pipe 60 / 60 |
| Length L | 95.00 mm |
| Width B | 95.00 mm |
| Shape | Double cross shape |

SXT-CL DX MOD 60 60 AL

The clamps SXT-CL are delivered as a ready-to-connect product.

Available accessories: Pipes SXT-RT



Design data SXT-CL DX MOD 60 60 AL

Design data

| | |
|----------------------|-----------|
| Length L | 95.00 mm |
| Width B | 95.00 mm |
| Height H1 | 145.00 mm |
| Height H2 | 61.00 mm |
| Internal diameter d1 | 60.0 mm |
| d2 | 6.0 mm |
| Internal diameter d | 60.00 mm |
| Thread G1 | M10-F |

Clamping piece

SXT-CL DX MOD 60 60 AL



Art.-Nr.: 10.07.13.00124



Technical data

| | |
|-------------------------|--------------------|
| Weight | 1,380.00 g |
| Material | Aluminum |
| Product family | SXT |
| Shape mounting elements | MOD |
| Shape | Double cross shape |



WWW.SCHMALZ.COM/10.07.13.00124