

Art.-Nr.: 10.07.13.00123

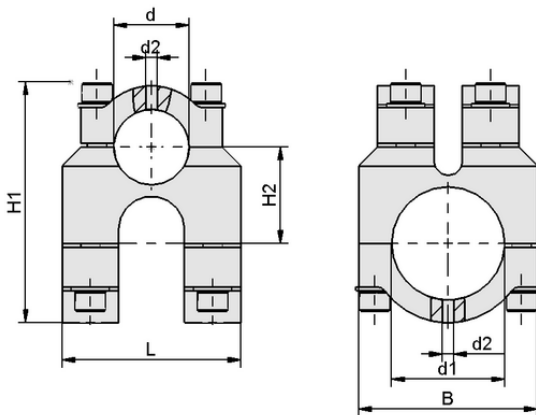
**Technical data**

Shape mounting elements	modular
Material	Aluminum
Utilization design	Pipe 40 / 60
Length L	95.00 mm
Width B	95.00 mm
Shape	Double cross shape

SXT-CL DX MOD 40 60 AL

The clamps SXT-CL are delivered as a ready-to-connect product.

Available accessories: Pipes SXT-RT



Design data SXT-CL DX MOD 40 60 AL

Design data

Length L	95.00 mm
Width B	95.00 mm
Height H1	127.00 mm
Height H2	51.00 mm
Internal diameter d1	60.0 mm
d2	6.0 mm
Internal diameter d	40.00 mm
Thread G1	M10-F

Clamping piece

SXT-CL DX MOD 40 60 AL



Art.-Nr.: 10.07.13.00123



Technical data

Weight	1,285.00 g
Material	Aluminum
Product family	SXT
Shape mounting elements	MOD
Shape	Double cross shape



WWW.SCHMALZ.COM/10.07.13.00123