

Hose clamp

SSD 76.5-84 ST-VZ



Art.-Nr.: 10.07.10.00037



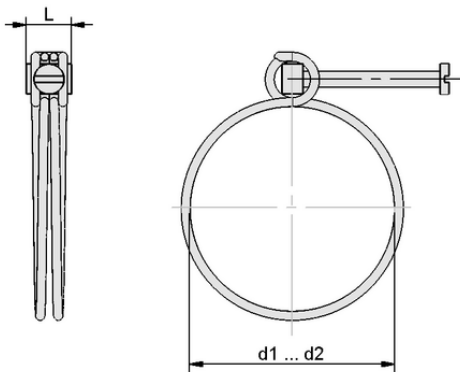
Technical data

Material	Steel
Clamping range [mm]	76.5 ... 84.0 mm
Surface	galvanised

SSD 76.5-84 ST-VZ

Hose clamp SSB / SSD is delivered in the desired diameter.

Available accessories: cap



Design data

Length L	17.50 mm
Internal diameter d1	76.5 mm
d2	84.0 mm

Design data SSD 76.5-84 ST-VZ



WWW.SCHMALZ.COM/10.07.10.00037

1

Hose clamp

SSD 76.5-84 ST-VZ



Art.-Nr.: 10.07.10.00037



Technical data

Weight	56.00 g
Material	Steel
Product family	SSB / SSD
Clamping range [mm]	76.5 ... 84.0 mm



WWW.SCHMALZ.COM/10.07.10.00037