

Sealing ring (f. screwing)

DR G1-1/2 55/48x2 PA



Art.-Nr.: 10.07.08.00027

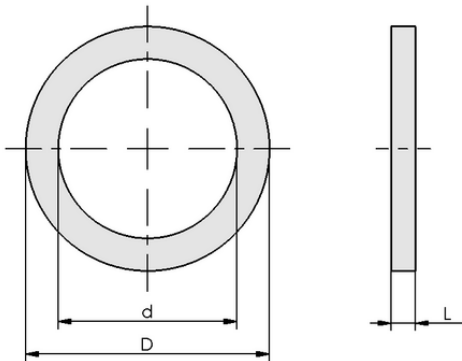


Technical data

Material	Polyamide
Outside diameter D	55.00 mm
Internal diameter d	48.00 mm
for	G1-1/2

DR G1-1/2 55/48x2 PA

The sealing ring DR is supplied in the required diameter.



Design data

Length L	2.00 mm
Outside diameter D	55.00 mm
Internal diameter d	48.00 mm
for	G1-1/2

Design data DR G1-1/2 55/48x2 PA



Technical data

Weight	1.00 g
Material	Polyamide
Product family	DR



WWW.SCHMALZ.COM/10.07.08.00027