

Art.-Nr.: 10.07.06.00600



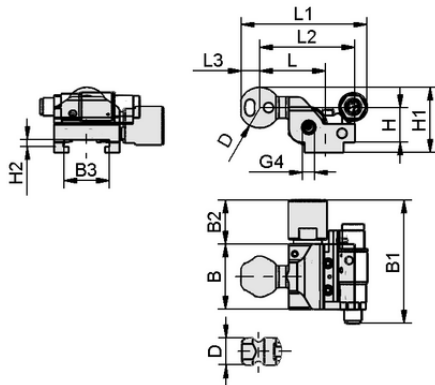
HT-SG A5 I 10 46 RA AV VS

The holders for suction cups HT-SG I are delivered as a ready-to-connect product.

Available accessories: push-in fittings STV-GE

Technical data

Additional function	Atmospheric ventilation
Connection	Rectangular adapter
Connection 1	Ball head 32 mm
Suction cup connection	Rectangular adapter
Shape	integrated nozzle



Design data HT-SG A5 I 10 46 RA AV VS

Design data

Length L1	90.60 mm
Length L2	67.00 mm
Length L	46.50 mm
Width B1	77.00 mm
Width B2	31.00 mm
Width B	46.00 mm
Height H1	47.70 mm
Height H2	4.80 mm
Height H	24.50 mm
Outside diameter D	32.00 mm
Length L3	15.00 mm
Width B3	32.00 mm
Thread G4	G 1/8"-F

Holder tooling suction Cup

HT-SG A5 I 10 46 RA AV VS



Art.-Nr.: 10.07.06.00600



Technical data

Weight	256.80 g
Product family	HT-SG-I



Ordering Data Accessories 10.07.06.00600

Typ		Item number
Plug union, straight	STV-GE G1/8-AG 6	10.08.02.00204
Plug union, elbow	STV-W G1/8-AG 6	10.08.02.00288



WWW.SCHMALZ.COM/10.07.06.00600