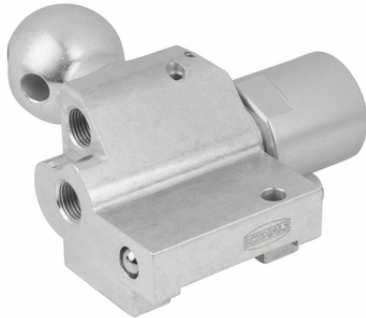


Art.-Nr.: 10.07.06.00486



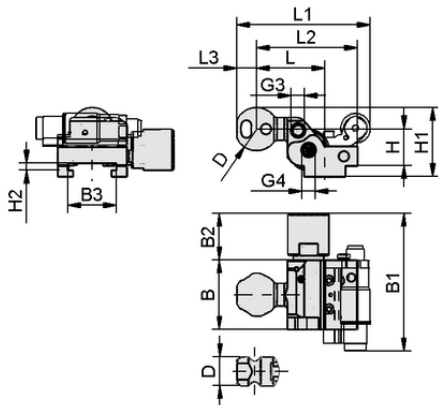
## Technical data

Additional function	Active blow-off
Connection	Rectangular adapter
Connection 1	Ball head 32 mm
Suction cup connection	Rectangular adapter
Vacuum connection	G1/8"-F
Shape	integrated nozzle

HT-SG A5 I 10 46 RA AB

The holders for suction cups HT-SG I are delivered as a ready-to-connect product.

Available accessories: push-in fittings STV-GE



## Design data

Length L1	82.00 mm
Length L2	67.00 mm
Length L	45.50 mm
Width B1	77.00 mm
Width B2	31.00 mm
Width B	46.00 mm
Height H1	47.70 mm
Height H2	4.80 mm
Height H	24.50 mm
Outside diameter D	32.00 mm
Length L3	15.00 mm
Width B3	32.00 mm
Thread G4	G1/8"-F
Thread G3	G1/8"-F

Design data HT-SG A5 I 10 46 RA AB



Holder tooling suction Cup

# HT-SG A5 I 10 46 RA AB



Art.-Nr.: 10.07.06.00486



## Technical data

Weight	180.60 g
Product family	HT-SG-I



## Ordering Data Accessories 10.07.06.00486

Typ		Item number
Plug union, straight	STV-GE G1/8-AG 6	10.08.02.00204
Plug union, elbow	STV-W G1/8-AG 6	10.08.02.00288



[WWW.SCHMALZ.COM/10.07.06.00486](http://WWW.SCHMALZ.COM/10.07.06.00486)