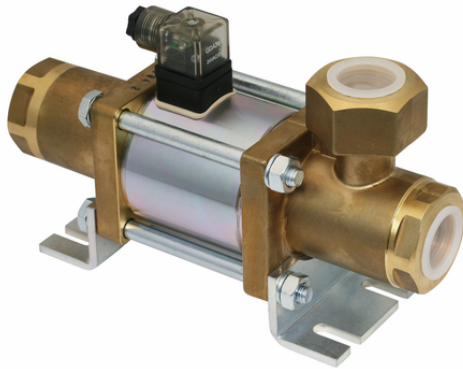


Art.-Nr.: 10.05.01.00074

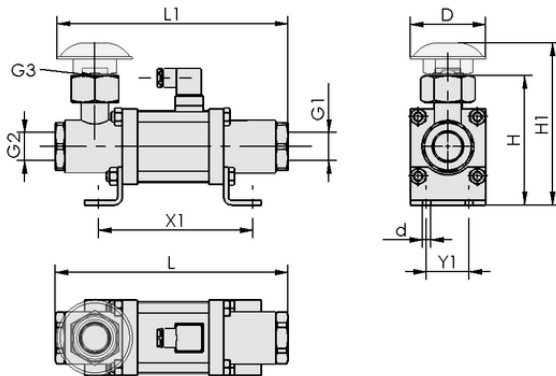
**Technical data**

Nominal size	20.00 mm
Power consumption DC	37.0 W
Weight	6.375 kg
Voltage DC	24 V - DC
Pressure range (operating pressure) [bar]	-1.00 ... 15.00 bar
Function valve	3/2 multiway valve
Connection thread	G1"-F
Control valve	Normally open
Nominal flow at 0.1 bar	61.700 m <sup>3</sup> /h

EMV 20 24V-DC 3/2 NO

Solenoid valve EMV is delivered as a ready-to-connect product.

Available accessories: venting filter

**Design data**

Length L1	245.00 mm
Length L	247.00 mm
Height H1	172.00 mm
Height H	137.00 mm
Outside diameter D	80.00 mm
Internal diameter d	8.50 mm
Thread G1	G1"-F
Thread G2	G1"-F
Hole spacing Y1	45.0 mm
Hole spacing X1	148.0 mm
Thread G3	G1"-F

Design data EMV 20 24V-DC 3/2 NO



Art.-Nr.: 10.05.01.00074

**Technical data**

Nominal size	20.00 mm
Power consumption DC	37.0 W
Weight	6.375 kg
Closing time	110.0 ms
Voltage DC	24 V - DC
Pressure range (operating pressure) [bar]	-1.00 ... 15.00 bar
Product family	EMV
Control valve	Normally open
Nominal flow at 0.1 bar	61.700 m <sup>3</sup> /h

**Ordering Data Accessories 10.05.01.00074**

Typ		Item number
Filter with mounting kit	FAS 80x38 G1-AG EMVP	10.05.01.00063

**Ordering Data Spare Parts 10.05.01.00074**

Typ		Item number
Filter with mounting kit	FAS 80x38 G1-AG EMVP	10.05.01.00063

