

Art.-Nr.: 10.04.01.00143

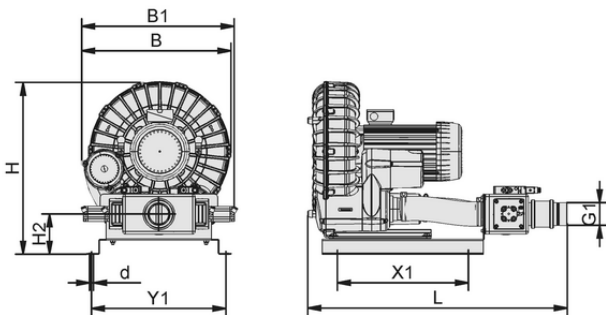


SB 375 390 5.5 IE3-TYP1 ER

Vacuum blower SB with electro-pneumatic reversing is delivered as a ready to connect product.

## Technical data

Rated power at 50 Hz	5.50 kW
Rated power at 60 Hz	6.60 kW
Voltage at 50 Hz	D400 V ±10 %
Voltage at 60 Hz	D460 V ±10 %
Weight	110.500 kg
Suction rate (50 Hz)	375.000 m <sup>3</sup> /h
Suction rate (60 Hz)	435.000 m <sup>3</sup> /h
Color	RAL 7035 Light gray
Version	IE3:EU/CN/IND
Vacuum (50 Hz)	390 mbar
Vacuum (60 Hz)	340 mbar
with	Electro-pneumatic reversing
Approval	UL/CSA



Design data SB 375 390 5.5 IE3-TYP1 ER

## Design data

Length L	816.00 mm
Width B1	545.00 mm
Width B	495.00 mm
Height H	646.00 mm
Internal diameter d	13.00 mm
Thread G1	G2-1/2"-M
Hole spacing Y1	506.0 mm
Hole spacing X1	350.0 mm

Vacuum blower

## SB 375 390 5.5 IE3-TYP1 ER



Art.-Nr.: 10.04.01.00143



### Technical data

Protection type IP	IP 55
Max. vacuum	390 mbar
Rated power at 50 Hz	5.50 kW
Voltage at 50 Hz	D400 V $\pm 10$ %
Voltage at 60 Hz	D460 V $\pm 10$ %
Weight	110.500 kg
Suction rate (50 Hz)	375.000 m <sup>3</sup> /h
Product family	SB-ER
Approval	UL/CSA



[WWW.SCHMALZ.COM/10.04.01.00143](http://WWW.SCHMALZ.COM/10.04.01.00143)