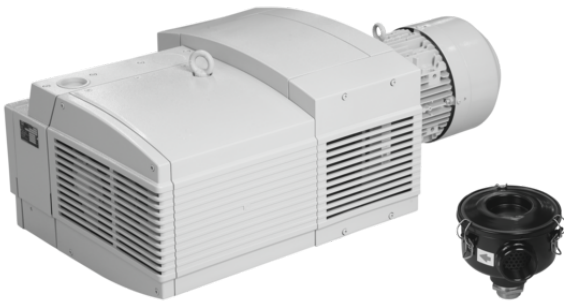


Art.-Nr.: 10.03.01.00341



Technical data

Rated power at 50 Hz	4.00 kW
Rated power at 60 Hz	4.80 kW
Voltage at 50 Hz	D230 V / Y400 V $\pm 10\%$
Voltage at 60 Hz	D265 V / Y460 V $\pm 10\%$
Weight	114.000 kg
Suction rate (50 Hz)	129.000 m ³ /h
Suction rate (60 Hz)	154.000 m ³ /h
Sound pressure level at 50 Hz	76.0 dB(A)
Version	IE3:EU/CN/IND
Vacuum (50 Hz)	-900 mbar
Voltage 60 Hz	S065
Approval	IE3
Current type	Three phase A.C.
with	Filter

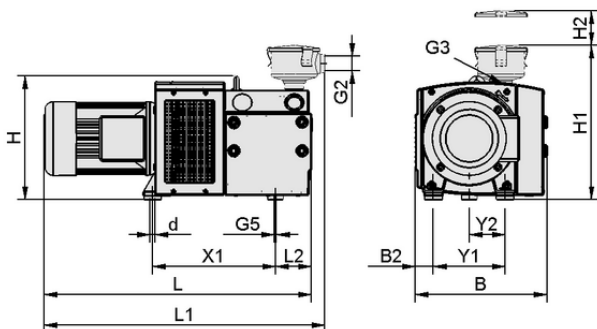
EVE-TR 140 AC3 IE3-TYP1 F

The vacuum pump EVE-TR comes ready to connect.

Available spare parts: Filter insert, wearing part set
Available accessories: Vacuum limiter valve

Design data

Length L1	850.00 mm
Length L2	140.00 mm
Length L	829.00 mm
Width B2	107.50 mm
Width B	470.00 mm
Height H1	426.00 mm
Height H2	75.00 mm
Height H	336.00 mm
Internal diameter d	12.00 mm
Thread G2	G1-1/4"-F
Hole spacing Y1	245.0 mm
Hole spacing Y2	122.5 mm
Hole spacing X1	398.0 mm
Thread G3	G1-1/2"-F
Thread G5	M8-F



Design data EVE-TR 140 AC3 IE3-TYP1 F



Art.-Nr.: 10.03.01.00341



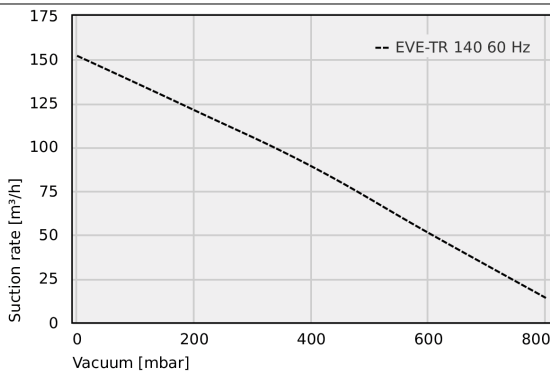
Technical data

Protection type IP	IP 55
Rated power at 50 Hz	4.00 kW
Rated power at 60 Hz	4.80 kW
Voltage at 50 Hz	D230 V / Y400 V ±10 %
Voltage at 60 Hz	D265 V / Y460 V ±10 %
Weight	114.000 kg
Suction rate (50 Hz)	129.000 m ³ /h
Suction rate (60 Hz)	154.000 m ³ /h
Sound pressure level at 50 Hz	76.0 dB(A)
Version	IE3:EU/CN/IND
Product family	EVE-TR
Supply voltage	AC3
Current type	Three phase A.C.

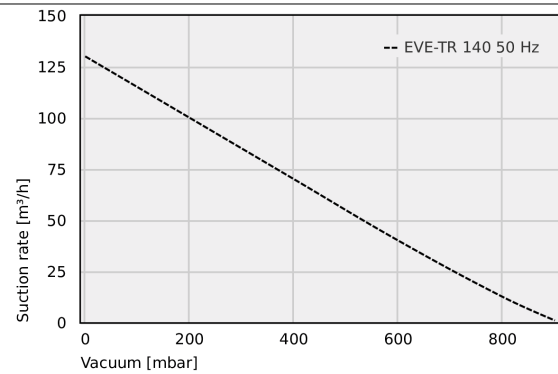
Noise level according to DIN EN ISO 3744 (uncertainty factor KpA = 3 dB(A)), interval of 1 m, at medium load, both connection sides piped



Performance data



Suction rate at various degrees of evacuation



Suction rate at various degrees of evacuation



Suction rate at various degrees of evacuation

Typ	0	200	400	600	800
EVE-TR 140 60 Hz	152	121	89	51	14

Typ	0	200	400	600	800	900
EVE-TR 140 50 Hz	130	100	70	40	12.5	1



Vacuum pump

EVE-TR 140 AC3 IE3-TYP1 F



Art.-Nr.: 10.03.01.00341



Ordering Data Accessories 10.03.01.00341

Typ		Item number
Vacuum limiter valve	VBV -950...0 G1-1/4-AG EVE 60-140	10.03.01.00153
Accessories	ZUB EVE-TR 10-140, Presse mit Fett	10.03.01.00540



Ordering Data Spare Parts 10.03.01.00341

Typ		Item number
Filter insert (round)	FILT-EINS 3 98x70 PAP STF-1-1/4-IGN	10.07.01.00018



Ordering Data Wear Parts 10.03.01.00341

Typ		Item number
Set of parts subject to wear pump	VST EVE-TR-140	22.09.01.00035



WWW.SCHMALZ.COM/10.03.01.00341