

Art.-Nr.: 10.03.01.00336



## Technical data

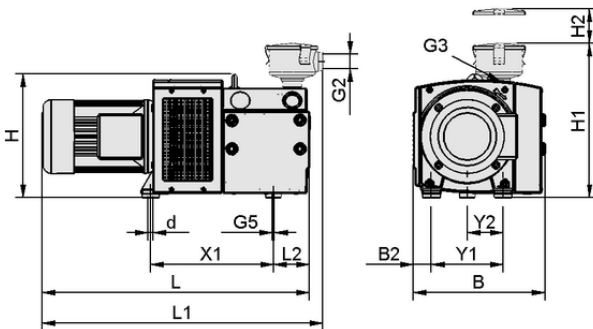
Rated power at 60 Hz	2.60 kW
Voltage at 60 Hz	YY230 / Y460 V ±10 %
Weight	85.500 kg
Suction rate (60 Hz)	66.000 m <sup>3</sup> /h
Version	IE3:US/CAN
Voltage 60 Hz	S067
Approval	UL/CSA
Current type	Three phase A.C.
with	Filter

EVE-TR 60 AC3 IE3-TYP2 F

The vacuum pump EVE-TR comes ready to connect.

Available spare parts: Filter insert, wearing part set  
Available accessories: Vacuum limiter valve

## Design data



Length L1	782.00 mm
Length L2	96.00 mm
Length L	747.00 mm
Width B2	46.00 mm
Width B	353.00 mm
Height H1	415.00 mm
Height H2	75.00 mm
Height H	328.00 mm
Internal diameter d	12.00 mm
Thread G2	G1-1/4"-F
Hole spacing Y1	190.0 mm
Hole spacing Y2	95.0 mm
Hole spacing X1	326.0 mm
Thread G3	G1"-F
Thread G5	M8-F

Design data EVE-TR 60 AC3 IE3-TYP2 F

Art.-Nr.: 10.03.01.00336

**Technical data**

Protection type IP	IP 55
Rated power at 60 Hz	2.60 kW
Voltage at 60 Hz	YY230 / Y460 V ±10 %
Weight	85.500 kg
Suction rate (60 Hz)	66.000 m <sup>3</sup> /h
Version	IE3:US/CAN
Product family	EVE-TR
Supply voltage	AC3
Current type	Three phase A.C.

Noise level according to DIN EN ISO 3744 (uncertainty factor KpA = 3 dB(A)), interval of 1 m, at medium load, both connection sides piped

**Ordering Data Spare Parts 10.03.01.00336**

Typ		Item number
Filter insert (round)	FILT-EINS 3 98x70 PAP STF-1-1/4-IGN	10.07.01.00018

**Ordering Data Wear Parts 10.03.01.00336**

Typ		Item number
Set of parts subject to wear pump	VST EVE-TR60/TR80	22.09.01.00031

