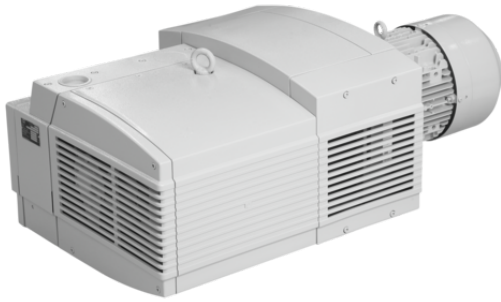


Art.-Nr.: 10.03.01.00331



EVE-TR-X 100 AC3 IE3-TYP1 VBV

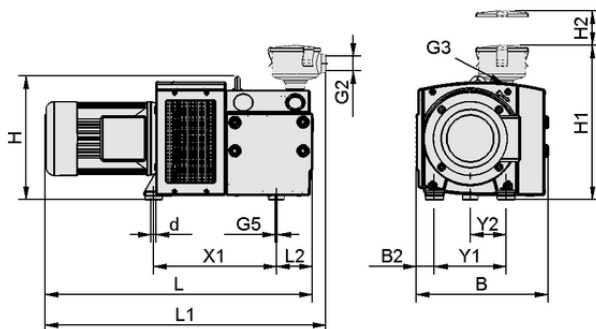
Vacuum pump EVE-TR-X is delivered as a ready to connect product.

Available spare parts: filter insert, set of parts subject to wear

Available accessories: vacuum regulation valve

Technical data

Rated power at 50 Hz	3.00 kW
Rated power at 60 Hz	3.60 kW
Voltage at 50 Hz	D230 V / Y400 V ± 10 %
Voltage at 60 Hz	D265 V / Y460 V ± 10 %
Weight	100.000 kg
Suction rate (50 Hz)	98.000 m ³ /h
Suction rate (60 Hz)	112.000 m ³ /h
Sound pressure level at 50 Hz	75.0 dB(A)
Voltage at 60 Hz optimal	D230 V / Y400 V ± 10 % (without IE3)
Version	IE3:EU/CN/IND
Vacuum (50 Hz)	-900 mbar
Vacuum (60 Hz)	-900 mbar
Voltage 60 Hz	S065
Approval	IE3
Current type	Three phase A.C.
with	Vacuum-limitter valve



Design data EVE-TR-X 100 AC3 IE3-TYP1 VBV

Design data

Length L2	140.00 mm
Length L	843.00 mm
Width B2	107.50 mm
Width B	470.00 mm
Height H	336.00 mm
Internal diameter d	12.00 mm
Hole spacing Y1	245.0 mm
Hole spacing Y2	122.5 mm
Hole spacing X1	398.0 mm
Thread G3	G1-1/2"-F
Thread G5	M8-F



Art.-Nr.: 10.03.01.00331

**Technical data**

Protection type IP	IP 55
Rated power at 50 Hz	3.00 kW
Rated power at 60 Hz	3.60 kW
Voltage at 50 Hz	D230 V / Y400 V ± 10 %
Voltage at 60 Hz	D265 V / Y460 V ± 10 %
Weight	100.000 kg
Suction rate (50 Hz)	98.000 m ³ /h
Suction rate (60 Hz)	112.000 m ³ /h
Sound pressure level at 50 Hz	75.0 dB(A)
Product family	EVE-TR-X
Supply voltage	AC3

Noise level according to DIN EN ISO 3744 (uncertainty factor KpA = 3 dB(A)), interval of 1 m, at medium load, both connection sides piped

**Ordering Data Accessories 10.03.01.00331**

Typ		Item number
Vacuum reservoir	VOL 100	10.03.03.00123

**Ordering Data Spare Parts 10.03.01.00331**

Typ		Item number
Filter insert (round)	FILT-EINS EVE-TR-X-80/100/140	10.03.01.00231
Filter insert (round)	FILT-EINS EVE-TR-X-80	10.03.01.00232

**Ordering Data Wear Parts 10.03.01.00331**

Typ		Item number
Set of parts subject to wear pump	VST EVE-TR-X-100	10.03.01.00233

