

Art.-Nr.: 10.02.03.00469

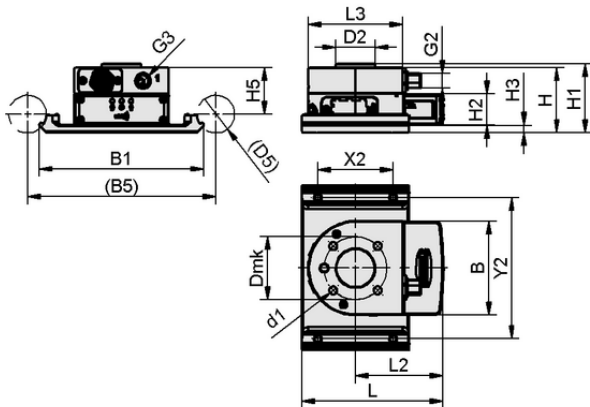


Technical data

Attribute	Value
Electrical connection	Male connect M12, 8 pol
Voltage DC	24 V - DC
Additional function area gripper	PXT (2 beam)
Rated power	1.00 W
Utilization	DIO / IO-Link
Dmk	50.0 mm
Control valve	Normally open
Rated current	0.0 A

RECBi 24V-DC NO PXT-2 1C M12-8

The pneumatic vacuum generator RECBi is supplied as a ready-to-connect product.



Design data

Attribute	Value
Length L2	70.00 mm
Length L	112.50 mm
Width B1	131.00 mm
Width B	75.00 mm
Height H1	55.00 mm
Height H2	25.00 mm
Height H	52.00 mm
Outside diameter D2	31.5 mm
Internal diameter d1	6.4 mm
Thread G2	M12-M
Dmk	50.0 mm
Length L3	75.50 mm
Height H3	6.00 mm
Hole spacing Y2	112.5 mm
Thread G3	G1/8"-F

Design data RECBi 24V-DC NO PXT-2 1C M12-8

Art.-Nr.: 10.02.03.00469

**Technical data**

Attribute	Value
Electrical connection	Male connect M12, 8 pol
Protection type IP	IP 40
Degree of evacuation	85.0 %
Max. vacuum	850 mbar
Weight	609.40 g
Voltage DC	24 V - DC
Rated power	1.00 W
Suction rate (max.)	52.5 l/min
Pressure range (operating pressure) [bar]	3.00 ... 7.00 bar
Operating temperature	0 ... 50 °C
Control valve	Normally open

**Further documentation**CAD data and other documents relating to the article can be found at: www.schmalz.com/10.02.03.00469**Ordering Data Accessories 10.02.03.00469**

Typ		Item number
Building group Solenoid valve	VENT-BGR EMVP-5 3/2 NC 24V-DC	10.08.09.00032
Connection cable	ASK B-M12-8 5000 K-8P	21.04.05.00079
Silencer (cube-shaped-inst.)	SD 66.7x24.4x24.5 RECBi	10.02.03.00441
Connection cable	ASK B-M12-8 295 WB-M8-8 FANUC	21.04.05.00827
Connection cable	ASK B-M12-8 280 WB-M8-8 UR	21.04.05.00350
Starter kit	PXT STARTERKIT 1 4	10.01.49.00090
Starter kit	PXT STARTERKIT 2 6	10.01.49.00091

**Ordering Data Spare Parts 10.02.03.00469**

Typ		Item number
Set of spare parts	ERS RECB SD	10.02.03.00422
Set of spare parts	ERS SEP-13 6xRUE-KLAP	10.02.01.01449
Ejector module	SEP HV 2 14 13 S	10.02.01.01493

