

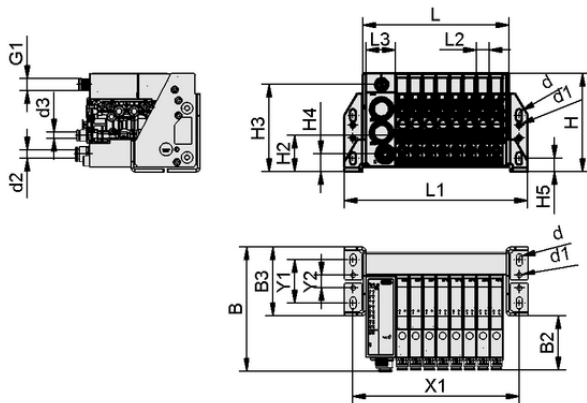
Art.-Nr.: 10.02.02.07594



SCTMi EIP E4 ACT00061K

Technical data

| Attribute | Value |
|--------------------|---------------------|
| Communication | EtherNet/IP |
| Ejector type 1 | SCPMt 10 6/4 NC E1U |
| Number of ejectors | E4 |



Design data

| Attribute | Value |
|----------------------|-----------|
| Length L1 | 122.50 mm |
| Length L2 | 12.50 mm |
| Length L | 87.50 mm |
| Width B2 | 51.80 mm |
| Width B | 115.80 mm |
| Height H2 | 34.00 mm |
| Height H | 91.50 mm |
| Internal diameter d1 | 4.5 mm |
| d2 | 8.0 mm |
| Internal diameter d | 5.50 mm |
| Thread G1 | M12x1-M |
| Hole size d3 | 6.0 mm |
| Length L3 | 27.50 mm |
| Width B3 | 64.00 mm |
| Height H3 | 81.20 mm |
| Height H4 | 16.50 mm |
| Hole spacing Y1 | 40.0 mm |
| Hole spacing Y2 | 12.0 mm |
| Hole spacing X1 | 105.5 mm |
| Height H5 | 12.50 mm |

Design data SCTMi EIP E4 ACT00061K

Art.-Nr.: 10.02.02.07594

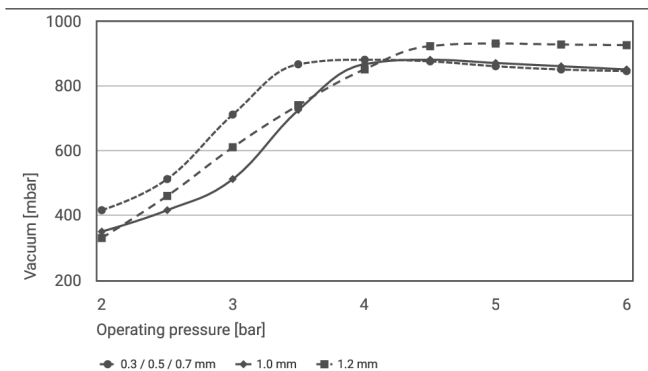


Technical data

| Attribute | Value |
|--------------------|---------------------|
| Weight | 1.012 kg |
| Communication | EtherNet/IP |
| Ejector type 1 | SCPMt 10 6/4 NC E1U |
| Number of ejectors | E4 |



Performance data



Achievable vacuum at various operating pressures



Achievable vacuum at various operating pressures

| Typ | 2.0 | 2.5 | 3.0 | 3.5 | 4.0 | 4.5 | 5.0 | 5.5 | 6.0 |
|--------------------|-----|-----|-----|-----|-----|-----|-----|-----|-----|
| 0.3 / 0.5 / 0.7 mm | 416 | 512 | 711 | 866 | 880 | 875 | 860 | 850 | 845 |
| 1.0 mm | 350 | 416 | 512 | 725 | 866 | 880 | 870 | 860 | 850 |
| 1.2 mm | 330 | 460 | 610 | 740 | 850 | 922 | 930 | 927 | 925 |



Further documentation

CAD data and other documents relating to the article can be found at: www.schmalz.com/10.02.02.07594



Art.-Nr.: 10.02.02.07594

**Ordering Data Accessories 10.02.02.07594**

| Typ | | Item number |
|------------------------|--------------------------------|----------------|
| Vacuum hose (meter) | VSL 6-4 PU MI-TR | 10.07.09.00002 |
| Vacuum hose (meter) | VSL 4-2 PU MI-TR | 10.07.09.00001 |
| Vacuum filter (inline) | VFI CN8/6 50 | 10.07.01.00245 |
| Power cable | P-LEIT-LK S-M12-5 1.5m B-M12-5 | 21.04.05.00606 |
| Power cable | P-LEIT-LK S-M12-5 3m B-M12-5 | 21.04.05.00607 |
| Power cable | P-LEIT-LK B-M12-5 1.5m OK | 21.04.05.00351 |
| Power cable | P-LEIT-LK B-M12-5 5m OK | 21.04.05.00352 |
| Connection cable | ASK S-M12-4-D 1000 S-M12-4-D | 21.04.05.00353 |
| Network cable | NETZ-KA-M12-DK 5m | 21.04.05.00354 |
| Connection cable | ASK S-M12-4-D 1000 RJ-45 | 21.04.05.00355 |
| Connection cable | ASK S-M12-4-D 5000 RJ-45 | 21.04.05.00356 |

**Ordering Data Spare Parts 10.02.02.07594**

| Typ | | Item number |
|-----------------------------|---------------------|----------------|
| Compact ejector | SCPMt 10 6/4 NC E1U | 10.02.02.06946 |
| Ejector blanking plate | EJEK-PL SCTMi | 10.02.02.07263 |
| Hollow screw, special shape | SCHR M8x92.7 SCTMi | 10.02.02.06948 |
| Flat male connector | FL-STEC 10 8 8 | 21.04.06.00723 |

**Ordering Data Wear Parts 10.02.02.07594**

| Typ | | Item number |
|--------------------|--------------|----------------|
| Set of spare parts | ERS SCTMi SD | 10.02.02.07341 |

