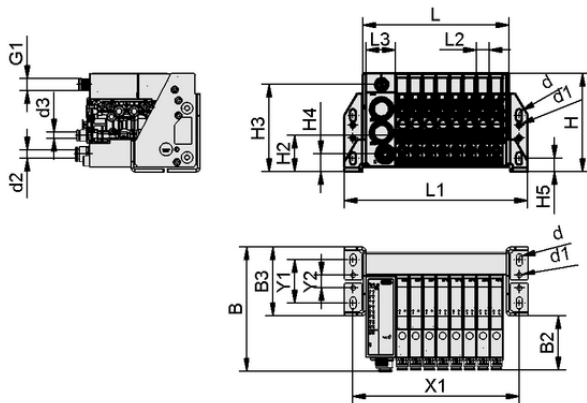




SCTMi ECT E8 ACU00029E

Technical data

Attribute	Value
Communication	Ethercat
Ejector type 1	SCPMt 10 6/4 NO E1T
Number of ejectors	E8



Design data SCTMi ECT E8 ACU00029E

Design data

Attribute	Value
Length L1	172.50 mm
Length L2	12.50 mm
Length L	137.50 mm
Width B2	51.80 mm
Width B	115.80 mm
Height H2	34.00 mm
Height H	91.50 mm
Internal diameter d1	4.5 mm
d2	8.0 mm
Internal diameter d	5.50 mm
Thread G1	M12x1-M
Hole size d3	6.0 mm
Length L3	27.50 mm
Width B3	64.00 mm
Height H3	81.20 mm
Height H4	16.50 mm
Hole spacing Y1	40.0 mm
Hole spacing Y2	12.0 mm
Hole spacing X1	155.5 mm
Height H5	12.50 mm

Mini compact terminal SCTMi ECT E8 ACU00029E



Art.-Nr.: 10.02.02.07592

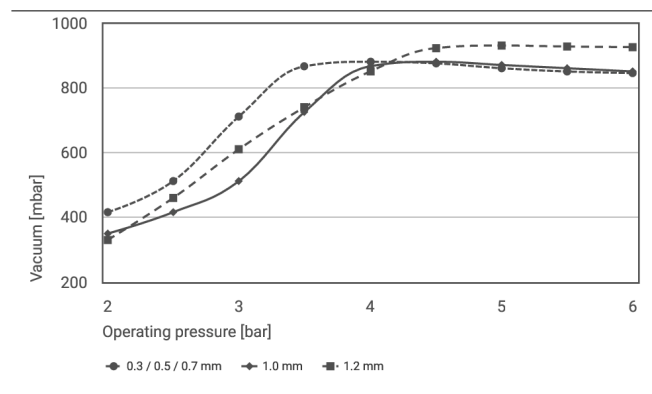


Technical data

Attribute	Value
Weight	1.572 kg
Communication	Ethercat
Ejector type 1	SCPMt 10 6/4 NO E1T
Number of ejectors	E8



Performance data



Achievable vacuum at various operating pressures



Achievable vacuum at various operating pressures

Typ	2.0	2.5	3.0	3.5	4.0	4.5	5.0	5.5	6.0
0.3 / 0.5 / 0.7 mm	416	512	711	866	880	875	860	850	845
1.0 mm	350	416	512	725	866	880	870	860	850
1.2 mm	330	460	610	740	850	922	930	927	925



Further documentation

CAD data and other documents relating to the article can be found at: www.schmalz.com/10.02.02.07592



WWW.SCHMALZ.COM/10.02.02.07592

Art.-Nr.: 10.02.02.07592

**Ordering Data Accessories 10.02.02.07592**

Typ		Item number
Vacuum hose (meter)	VSL 6-4 PU MI-TR	10.07.09.00002
Vacuum hose (meter)	VSL 4-2 PU MI-TR	10.07.09.00001
Vacuum filter (inline)	VFI CN8/6 50	10.07.01.00245
Power cable	P-LEIT-LK S-M12-5 1.5m B-M12-5	21.04.05.00606
Power cable	P-LEIT-LK S-M12-5 3m B-M12-5	21.04.05.00607
Power cable	P-LEIT-LK B-M12-5 1.5m OK	21.04.05.00351
Power cable	P-LEIT-LK B-M12-5 5m OK	21.04.05.00352
Connection cable	ASK S-M12-4-D 1000 S-M12-4-D	21.04.05.00353
Network cable	NETZ-KA-M12-DK 5m	21.04.05.00354
Connection cable	ASK S-M12-4-D 1000 RJ-45	21.04.05.00355
Connection cable	ASK S-M12-4-D 5000 RJ-45	21.04.05.00356

**Ordering Data Spare Parts 10.02.02.07592**

Typ		Item number
Compact ejector	SCPMt 10 6/4 NO E1T	10.02.02.06945
Ejector blanking plate	EJEK-PL SCTMi	10.02.02.07263
Hollow screw, special shape	SCHR M8x92.7 SCTMi	10.02.02.06948
Flat male connector	FL-STEC 10 8 8	21.04.06.00723

**Ordering Data Wear Parts 10.02.02.07592**

Typ		Item number
Set of spare parts	ERS SCTMi SD	10.02.02.07341

