

Art.-Nr.: 10.02.02.07499



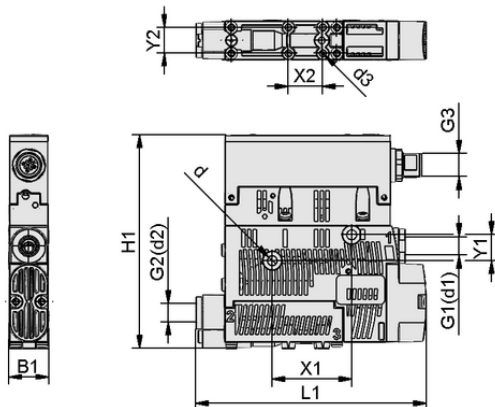
SCPSc 2-14 G02 NO M12-5 PNP

**Technical data**

Construction vacuum switch	PNP switching
Electrical connection	Male connect M12, 5 pol
Protection type IP	IP 65 (with plug)
Max. vacuum	-850 mbar
Air consumption suction	82.0 l/min
Suction rate (max.)	71.5 l/min
Connection	G1/8" (1)-G1/8" (2)
Pressure range (operating pressure) [bar]	3.0 ... 6.0 bar
Nozzle size	2-14
Control valve	Normally open
Operation mode	Digital air-saving function

Compact ejector SCPSc / SCPSc / SCPSc is delivered as a ready-to-connect product (without connection cable).

Available accessories: connection cable, distributor, DIN rail mount, filter, compressed air connection plate, mounting set, exhaust air set



Design data SCPSc 2-14 G02 NO M12-5 PNP

**Design data**

Length L1	106.00 mm
Width B1	18.60 mm
Height H1	99.00 mm
Internal diameter d	4.40 mm
Thread G1	G1/8"-F
Thread G2	G1/8"-F
Hole size d3	2.6 mm
Length L3	22.00 mm
Hole spacing Y1	12.0 mm
Hole spacing Y2	12.0 mm
Hole spacing X1	36.9 mm
Hole spacing X2	16.0 mm
Thread G3	M12x1-M



Art.-Nr.: 10.02.02.07499

**Technical data**

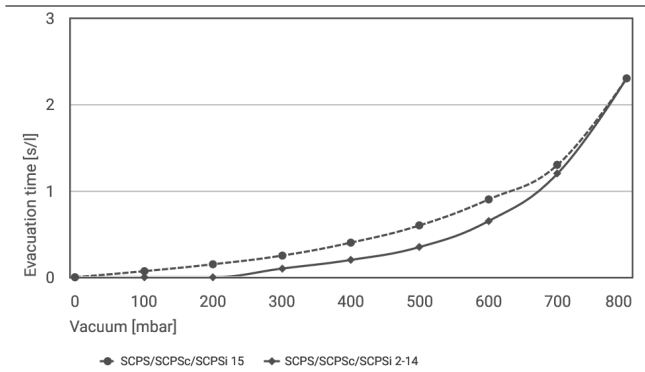
Recommended hose internal diameter compressed air	4.0 mm
Recommended hose internal diameter vacuum	6.0 mm
Degree of evacuation	85.0 %
Sound pressure level suction	70.0 dB(A)
Sound pressure level free	75.0 dB(A)
Weight	0.195 kg
Max. air consumption blow-off	120.0 l/min
Air consumption blow-off	4.237 cfm
Air consumption suction	2.895 cfm
Suction rate (max.)	2.524 cfm
Pressure range (operating pressure) [bar]	3.0 ... 6.0 bar
Operating temperature	0 ... 50 °C
Pressure range (operating pressure) [psi]	43.5 ... 87.0
Max. vacuum	-25.100 inHg
Product family	SCPSc
Nozzle size	2-14
Control valve	Normally open



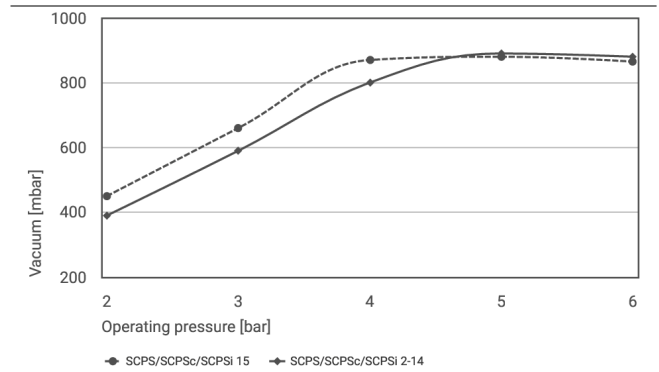
Art.-Nr.: 10.02.02.07499



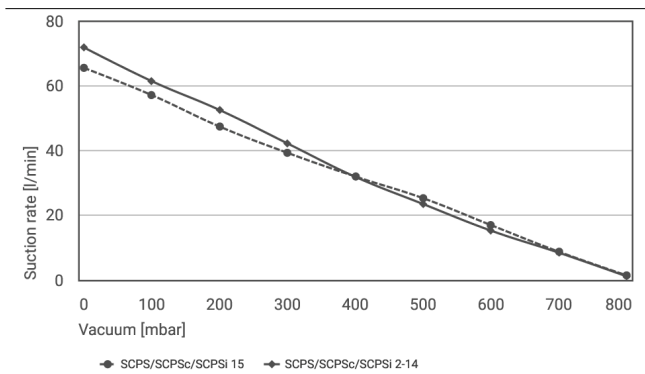
## Performance data



Evacuation time for various vacuum ranges [s/l]



Achievable vacuum at various operating pressures



Suction rate at various degrees of evacuation [l/min]



## Evacuation time for various vacuum ranges [s/l]

	0	100	200	300	400	500	600	700	800
SCPS/SCPSc/SCPSi 15	-	0.07	0.15	0.25	0.4	0.6	0.9	1.3	2.3
SCPS/SCPSc/SCPSi 2-14	-	-	-	0.1	0.2	0.35	0.65	1.2	2.3



Art.-Nr.: 10.02.02.07499

**Achievable vacuum at various operating pressures**

	2	3	4	5	6
SCPS/SCPSc/SCPScSi 15	450	660	870	880	865
SCPS/SCPSc/SCPScSi 2-14	390	590	800	890	880

**Suction rate at various degrees of evacuation [l/min]**

	0	100	200	300	400	500	600	700	800
SCPS/SCPSc/SCPScSi 15	65.5	57.1	47.4	39.3	32	25.3	17	8.8	1.5
SCPS/SCPSc/SCPScSi 2-14	71.8	61.4	52.5	42.2	31.9	23.5	15.3	8.5	1.2

**Ordering Data Accessories 10.02.02.07499**

Typ		Item number
Connection cable	ASK B-M12-5 5000 K-5P	21.04.05.00080
Distributor	ASV SM/CPi B-M12-5 2xS-M12-4	10.02.02.03490
Vacuum filter (inline)	VFI CN6/4 50	10.07.01.00241
Vacuum filter (inline)	VFI CN8/6 50	10.07.01.00245
Mounting set	SET SCPSc	10.02.02.04343
Exhaust air set	ABL-SET SCPSc zweistufig	10.02.02.04667
Connection cable	ASK B-M12-5 1000 S-M12-5	21.04.05.00158
Connection cable	ASK B-M12-5 2000 S-M12-5	21.04.05.00211
Compressed-air connection plate	GP 3 SCPSc 07..15 G2	10.02.02.04884
Compressed-air connection plate	GP 4 SCPSc 07..15 G2	10.02.02.04338
Compressed-air connection plate	GP 5 SCPSc 07..15 G2	10.02.02.04858
Compressed-air connection plate	GP 6 SCPSc 07..15 G2	10.02.02.04837
Compressed-air connection plate	GP 8 SCPSc 07..15 G2	10.02.02.04937
Top-hat rail clamp comp.	HUT-SN-KL 75x18x9 SCPSc	10.02.02.04149
Vacuum filter (inline)	VFI 4/2 50	10.07.01.00329
Vacuum cup filter	VFT G1/4-IG 80	10.07.01.00119

**Ordering Data Spare Parts 10.02.02.07499**

Typ		Item number
Set of wearing parts ejector	VST SCPSc-zw-stuf-SD	10.02.02.04738

