

Art.-Nr.: 10.02.02.07393

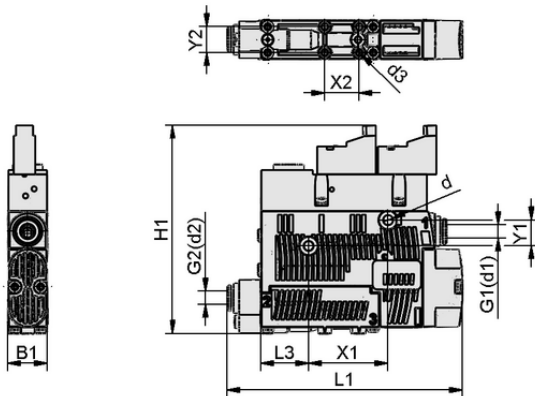
**Technical data**

Attribute	Value
Max. vacuum	-850 mbar
Air consumption suction	82.0 l/min
Suction rate (max.)	71.5 l/min
Connection	G1/8" (1)-G1/8" (2)
Shape	Battery
Nozzle size	2-14
Control valve	Normally closed

SCPSb BY 2-14 G02 NC

Compact ejector SCPSb is delivered as a ready-to-connect product (without connection cable).

Available accessories: connection cable, top-hat rail clamp, vacuum filter, compressed air connection plate, mounting set, exhaust air set



Design data SCPSb BY 2-14 G02 NC

Design data

Attribute	Value
Length L1	105.80 mm
Width B1	18.60 mm
Height H1	97.00 mm
Internal diameter d	4.40 mm
Thread G1	G1/8"-F
Thread G2	G1/8"-F
Hole size d3	2.6 mm
Length L3	22.00 mm
Hole spacing Y1	12.0 mm
Hole spacing Y2	12.0 mm
Hole spacing X1	36.9 mm
Hole spacing X2	16.0 mm



Compact ejector
SCPSb BY 2-14 G02 NC



Art.-Nr.: 10.02.02.07393



Technical data

Attribute	Value
Protection type IP	IP 40 (with plug)
Degree of evacuation	85.0 %
Weight	0.195 kg
Max. air consumption blow-off	120.0 l/min
Air consumption blow-off	7.200 m ³ /h
Suction rate (max.)	4.400 m ³ /h
Optimal operating pressure	4.50 bar
Pressure range (operating pressure) [bar]	3.0 ... 6.0 bar
Shape	Battery
Product family	SCPSb
Nozzle size	2-14
Control valve	Normally closed



Further documentation

CAD data and other documents relating to the article can be found at: www.schmalz.com/10.02.02.07393



Ordering Data Accessories 10.02.02.07393

Typ		Item number
Connection cable	ASK B-M12-5 5000 K-5P	21.04.05.00080
Connection cable	ASK B-M12-5 1000 S-M12-5	21.04.05.00158
Connection cable	ASK B-M12-5 2000 S-M12-5	21.04.05.00211
Distributor	ASV SM/CPi B-M12-5 2xS-M12-4	10.02.02.03490
Top-hat rail clamp comp.	HUT-SN-KL 75x18x9 SCPS	10.02.02.04149
Exhaust air set	ABL-SET SCPS zweistufig	10.02.02.04667
Compressed-air connection plate	GP 3 SCPS 07..15 G2	10.02.02.04884
Compressed-air connection plate	GP 4 SCPS 07..15 G2	10.02.02.04338
Compressed-air connection plate	GP 5 SCPS 07..15 G2	10.02.02.04858
Compressed-air connection plate	GP 6 SCPS 07..15 G2	10.02.02.04837
Compressed-air connection plate	GP 8 SCPS 07..15 G2	10.02.02.04937
Mounting set	SET SCPS	10.02.02.04343
Vacuum filter (inline)	VFI CN8/6 50	10.07.01.00245



WWW.SCHMALZ.COM/10.02.02.07393

Compact ejector

SCPSb BY 2-14 G02 NC



Art.-Nr.: 10.02.02.07393



Ordering Data Spare Parts 10.02.02.07393

Typ		Item number
Silencer insert (round)	SD-EINS 15x16.5 SD	10.02.02.04141
Sieve, round	SIEB 11x2 X-5 0.415/0.22	10.02.02.04404
Set of wearing parts ejector	VST SCPS-zw-stuf-SD	10.02.02.04738



WWW.SCHMALZ.COM/10.02.02.07393