

Mini compact ejector

SCPMc 12 S04 NO JST-5 NPN



Art.-Nr.: 10.02.02.07242



Technical data

Attribute	Value
Construction vacuum switch	NPN switching
Electrical connection	Male connect JST, 5 pol
Protection type IP	IP 40 (with plug)
Max. vacuum	920 mbar
Sound pressure level free	76.0 dB(A)
Air consumption suction	51.0 l/min
Suction rate (max.)	30.0 l/min
Connection	Hose D6(1)-D6(2)
Pressure range (operating pressure) [bar]	3.5 ... 6.0 bar
Control valve	Normally open

SCPMc 12 S04 NO JST-5 NPN

Compact ejector SCPM is delivered as a ready-to-connect product (without connection cable).

Available spare parts: silencer, filter element

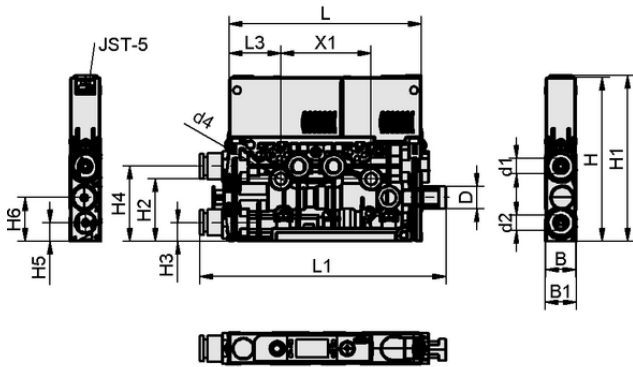
Available accessories: connection cable, connection plug



WWW.SCHMALZ.COM/10.02.02.07242

1

Art.-Nr.: 10.02.02.07242



Design data

Attribute	Value
Length L1	120.50 mm
Length L2	11.40 mm
Length L	76.50 mm
Width B1	12.50 mm
Width B	12.00 mm
Height H1	73.90 mm
Height H2	24.95 mm
Height H	65.30 mm
Outside diameter D	9.00 mm
Internal diameter d1	6.2 mm
d2	6.2 mm
Length L3	20.50 mm
Height H3	7.50 mm
Height H4	30.00 mm
Hole spacing X1	36.0 mm
Hole size d4	4.3 mm
Height H5	7.50 mm
Height H6	17.50 mm

Design data SCPMc 12 S04 NO JST-5 NPN



Technical data

Attribute	Value
Construction vacuum switch	NPN switching
Control valve	NO
Recommended hose internal diameter compressed air	4.0 mm
Recommended hose internal diameter vacuum	4.0 mm
Degree of evacuation	92.0 %
Max. vacuum	920 mbar
Weight	84.00 g
Max. air consumption blow-off	10.0 l/min
Air consumption suction	51.0 l/min
Suction rate (max.)	30.0 l/min
Optimal operating pressure	4.50 bar
Pressure range (operating pressure) [bar]	3.5 ... 6.0 bar
Operating temperature	0 ... 50 °C
Product family	SCPMc
Electrical connection	JST-5



Mini compact ejector

SCPMc 12 S04 NO JST-5 NPN



Art.-Nr.: 10.02.02.07242



Further documentation

CAD data and other documents relating to the article can be found at: www.schmalz.com/10.02.02.07242



Ordering Data Accessories 10.02.02.07242

Typ		Item number
Connection cable	ASK JST-5 2000 K-5P	21.04.05.00779
Silencer (round)	SD 10.5x31.7 SCPM	10.02.02.05807
Mounting set	SET SCPM MOUNT1	10.02.02.05805
Mounting bracket	BEF-WIN 15x50x36.1 1.5 SCPM	10.02.02.05824
Plug union, straight	STV-GE M5-AG 4	10.08.02.00468
Plug union, straight	STV-GE M7-AG 6	10.08.02.00469
Thread adapter (inst)	ADP-G M7-IG 10.8x7.9 SCPMi/c/b	10.02.02.05522
Thread adapter (inst)	ADP-G M5-IG 10.5x8.6 SCPMi/c/b	10.02.02.05643



WWW.SCHMALZ.COM/10.02.02.07242