

Mini compact ejector

SCPMc 07 S01 NO JST-5 NPN BC8



Art.-Nr.: 10.02.02.07218



Technical data

Construction vacuum switch	NPN switching
Electrical connection	Male connect JST, 5 pol
Protection type IP	IP 40 (with plug)
Nozzle size	0.7 mm
Max. vacuum	870 mbar
Sound pressure level free	70.0 dB(A)
Air consumption suction	22.0 l/min
Suction rate (max.)	15.0 l/min
Connection	Hose D4(1)-D4(2)
Pressure range (operating pressure) [bar]	3.5 ... 6.0 bar
Control valve	Normally open

SCPMc 07 S01 NO JST-5 NPN BC8

Compact ejector SCPM is delivered as a ready-to-connect product (without connection cable).

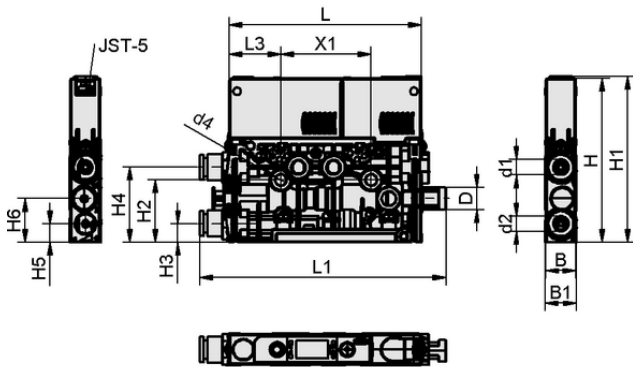
Available spare parts: silencer, filter element

Available accessories: connection cable, connection plug



WWW.SCHMALZ.COM/10.02.02.07218

Art.-Nr.: 10.02.02.07218



Design data

Length L1	95.30 mm
Length L	76.50 mm
Width B1	12.50 mm
Width B	12.00 mm
Height H1	66.00 mm
Height H2	24.95 mm
Height H	65.30 mm
Outside diameter D	9.00 mm
Internal diameter d1	4.2 mm
d2	4.2 mm
Length L3	20.50 mm
Height H3	7.50 mm
Height H4	30.00 mm
Hole spacing X1	36.0 mm
Hole size d4	4.3 mm
Height H5	7.50 mm
Height H6	17.50 mm

Design data SCPMc 07 S01 NO JST-5 NPN BC8



Technical data

Construction vacuum switch	NPN switching
Control valve	NO
Nozzle size	0.7 mm
Recommended hose internal diameter compressed air	2.0 mm
Recommended hose internal diameter vacuum	2.0 mm
Degree of evacuation	87.0 %
Max. vacuum	870 mbar
Weight	84.00 g
Max. air consumption blow-off	10.0 l/min
Air consumption suction	22.0 l/min
Suction rate (max.)	15.0 l/min
Optimal operating pressure	4.00 bar
Pressure range (operating pressure) [bar]	3.5 ... 6.0 bar
Operating temperature	0 ... 50 °C
Product family	SCPMc
Electrical connection	JST-5
Configurator code	BC8



Mini compact ejector

SCPMc 07 S01 NO JST-5 NPN BC8



Art.-Nr.: 10.02.02.07218



Ordering Data Accessories 10.02.02.07218

Typ		Item number
Connection cable	ASK JST-5 2000 K-5P	21.04.05.00779
Silencer (round)	SD 10.5x31.7 SCPM	10.02.02.05807
Exhaust air set	ABL-SET SCPMi/c/b	10.02.02.06080
Mounting set	SET SCPM MOUNT1	10.02.02.05805
Mounting bracket	BEF-WIN 15x50x36.1 1.5 SCPM	10.02.02.05824
Plug union, straight	STV-GE M5-AG 4	10.08.02.00468
Plug union, straight	STV-GE M7-AG 6	10.08.02.00469
Thread adapter (inst)	ADP-G M7-IG 10.8x7.9 SCPMi/c/b	10.02.02.05522
Thread adapter (inst)	ADP-G M5-IG 10.5x8.6 SCPMi/c/b	10.02.02.05643



WWW.SCHMALZ.COM/10.02.02.07218