

Compact ejector

# SCPLc 150 HV G SA NO PNP E2F



Art.-Nr.: 10.02.02.07035



## Technical data

Shape compact ejectors	SA
Construction vacuum switch	PNP switching
Electrical connection	Male connect M12, 5 pol
Size	150.00
Thread G1	G3/8"-F
Thread G2	G1"-F
Shape	High vacuum
Control valve	Normally open

SCPLc 150 HV G SA NO PNP E2F

The compact ejector SCPLb / SCPLc, available in various configuration levels, is supplied as a product ready to connect.

Available spare parts: silencer, nozzle SEP, filter screen

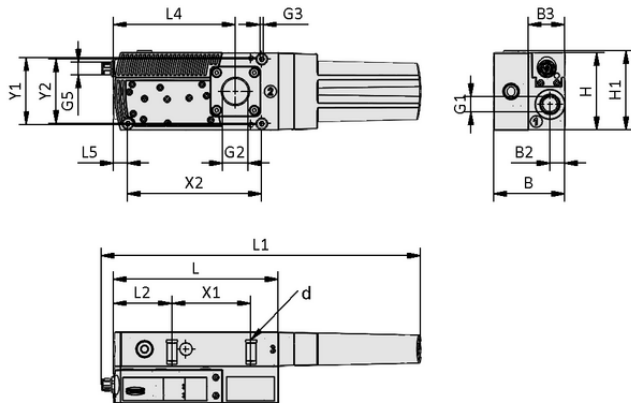
Available accessories: retrofit kit, mounting bracket, vacuum hose, hose sleeve, connection cable, vacuum monitoring, silencer, collective exhaust air duct



[WWW.SCHMALZ.COM/10.02.02.07035](http://WWW.SCHMALZ.COM/10.02.02.07035)

1

Art.-Nr.: 10.02.02.07035



## Design data

Length L1	297.00 mm
Length L2	54.50 mm
Length L	153.50 mm
Width B2	13.80 mm
Width B	129.60 mm
Height H1	74.00 mm
Height H	72.00 mm
Internal diameter d	5.50 mm
Thread G1	G3/8"-F
Thread G2	G1"-F
Length L4	113.50 mm
Width B3	34.00 mm
Hole spacing Y1	62.0 mm
Hole spacing Y2	60.0 mm
Hole spacing X1	73.5 mm
Hole spacing X2	124.5 mm
Length L5	13.50 mm
Thread G3	M4-F
Thread G5	M12x1-M

Design data SCPLc 150 HV G SA NO PNP E2F



## Technical data

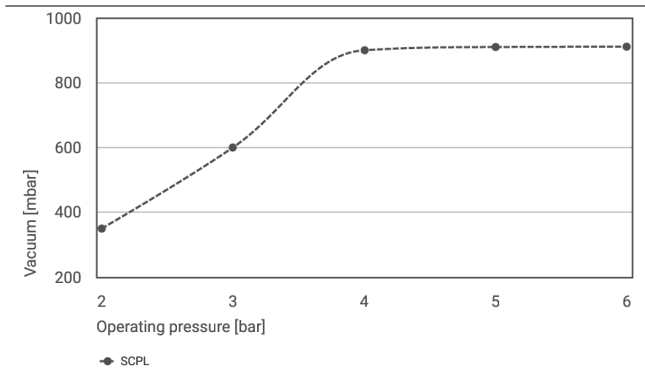
Protection type IP	IP 54
Max. vacuum	900 mbar
Sound pressure level suction	66.0 dB(A)
Sound pressure level free	73.0 dB(A)
Weight	1,670.00 g
Max. air consumption blow-off	124.0 l/min
Air consumption blow-off	7.400 m <sup>3</sup> /h
Air consumption suction	32.700 m <sup>3</sup> /h
Suction rate (max.)	68.400 m <sup>3</sup> /h
Size	150.00
Optimal operating pressure	5.50 bar
Pressure range (operating pressure) [bar]	3.0 ... 6.0 bar
Operating temperature	0 ... 55 °C



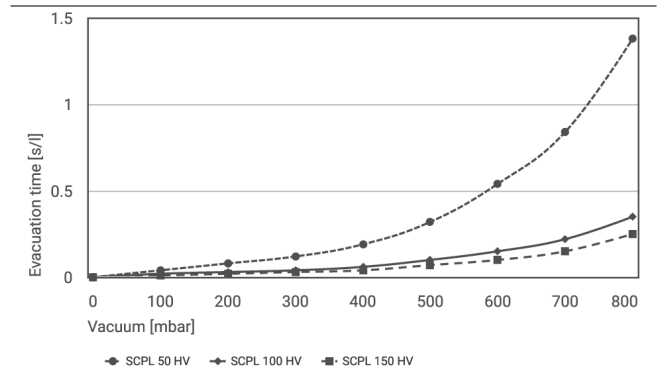
Art.-Nr.: 10.02.02.07035



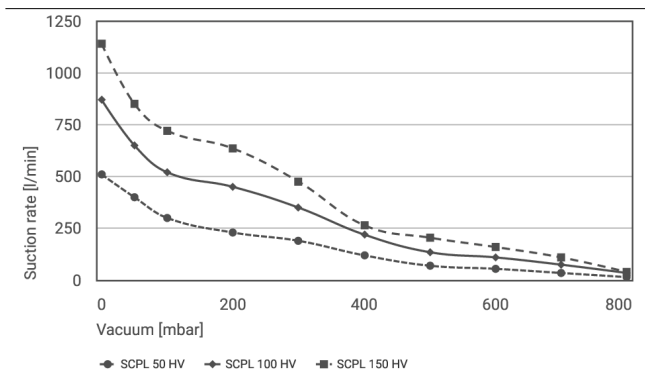
## Performance data



Achievable vacuum at various operating pressures



Evacuation time for various vacuum ranges [s/l]



Suction rate at various degrees of evacuation [l/min]



## Achievable vacuum at various operating pressures

	2	3	4	5	6
SCPL	350.00	600.00	900.00	910.00	911.00



Art.-Nr.: 10.02.02.07035

**Evacuation time for various vacuum ranges [s/l]**

	0	100	200	300	400	500	600	700	800
SCPL 50 HV	-	0.04	0.08	0.12	0.19	0.32	0.54	0.84	1.38
SCPL 100 HV	-	0.02	0.03	0.04	0.06	0.10	0.15	0.22	0.35
SCPL 150 HV	-	0.01	0.02	0.03	0.04	0.07	0.10	0.15	0.25

**Suction rate at various degrees of evacuation [l/min]**

	0	50	100	200	300	400	500	600	700	800
SCPL 50 HV	510	400	300	230	190	120	70	55	35	15
SCPL 100 HV	870	650	520	450	350	220	135	110	75	35
SCPL 150 HV	1140	850	720	635	475	265	205	160	110	40

**Ordering Data Accessories 10.02.02.07035**

Typ		Item number
Connection cable	ASK B-M12-5 5000 K-5P	21.04.05.00080
Connection cable	ASK B-M12-5 1000 S-M12-5	21.04.05.00158
Connection cable	ASK B-M12-5 2000 S-M12-5	21.04.05.00211
Mouting bracket (inst.)	BEF-WIN 72x25x77 SBPL/SCPL	10.02.01.01705
Exhaust air set	ABL-SET SBPL/SCPL M	10.02.01.01939
Hose sleeve	ST 32 AL-EL	10.02.01.01681
Dust filter	STF G1-1/4-IG N	10.07.01.00008

**Ordering Data Spare Parts 10.02.02.07035**

Typ		Item number
Ejector module	SEP HV 3 16 22	10.02.01.01397
Set of spare parts	ERS SEP-22 6xRUE-KLAP	10.02.01.01450
Spare part (Ejector)	ERS VENT SCPLb/c	10.02.02.07698
Silencer (cube-shaped-inst.)	SD 102x71x33 SBPL/SCPL	10.02.01.01585
Sealing frame	DI-RA 112.5x34.8 NBR-55 SBPL/SCPL	10.02.01.01541
O-ring	O-RING 10x2.5 NBR-70	10.07.08.00002
Sieve, round	SIEB 36.2x0.2 A2 400 0.4/0.22	10.02.02.07119

