

Art.-Nr.: 10.02.02.06835



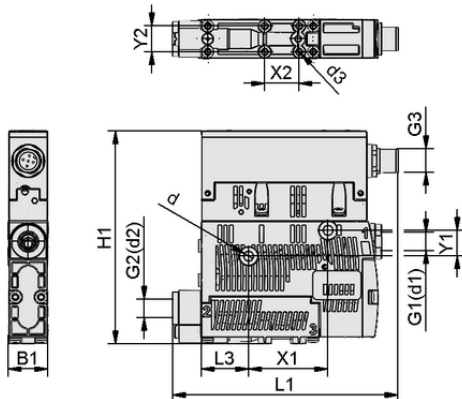
Technical data

| Attribute | Value |
|---|-----------------------------|
| Max. vacuum | -850 mbar |
| Air consumption suction | 98.5 l/min |
| Suction rate (max.) | 65.5 l/min |
| Connection | G1/8" (1)-G1/8" (2) |
| Pressure range (operating pressure) [bar] | 3.0 ... 6.0 bar |
| Nozzle size | 15 |
| Control valve | Impulse valve |
| Operation mode | Digital air-saving function |

SCPSi 15 G02 IMP M12-5

Compact ejector SCPS / SCPSc / SCPSi is delivered as a ready-to-connect product (without connection cable).

Available accessories: connection cable, distributor, DIN rail mount, filter, compressed air connection plate, mounting set, exhaust air set



Design data SCPSi 15 G02 IMP M12-5

Design data

| Attribute | Value |
|---------------------|-----------|
| Length L1 | 105.00 mm |
| Width B1 | 18.60 mm |
| Height H1 | 99.00 mm |
| Internal diameter d | 4.40 mm |
| Thread G1 | G1/8"-F |
| Hole size d3 | 2.6 mm |
| Length L3 | 22.00 mm |
| Hole spacing Y1 | 12.0 mm |
| Hole spacing Y2 | 12.0 mm |
| Hole spacing X1 | 36.9 mm |
| Hole spacing X2 | 16.0 mm |
| Thread G3 | M12x1-M |



Art.-Nr.: 10.02.02.06835

**Technical data**

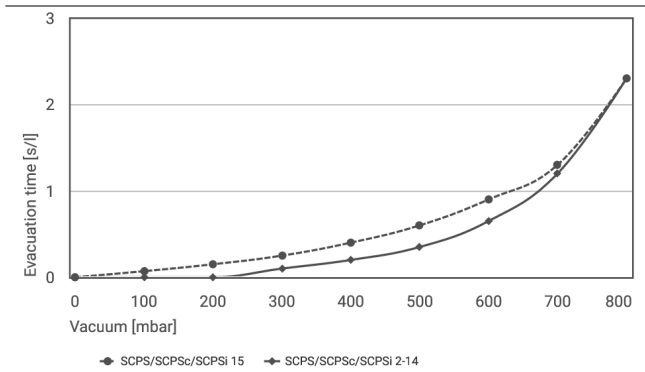
| Attribute | Value |
|---|-----------------|
| Recommended hose internal diameter compressed air | 4.0 mm |
| Recommended hose internal diameter vacuum | 6.0 mm |
| Degree of evacuation | 85.0 % |
| Sound pressure level suction | 65.0 dB(A) |
| Sound pressure level free | 77.0 dB(A) |
| Weight | 0.195 kg |
| Max. air consumption blow-off | 120.0 l/min |
| Air consumption blow-off | 4.237 cfm |
| Air consumption suction | 3.478 cfm |
| Suction rate (max.) | 2.313 cfm |
| Pressure range (operating pressure) [bar] | 3.0 ... 6.0 bar |
| Operating temperature | °C |
| Pressure range (operating pressure) [psi] | 43.5 ... 87.0 |
| Max. vacuum | -25.100 inHg |
| Product family | SCPSi |
| Nozzle size | 15 |
| Control valve | Impulse valve |



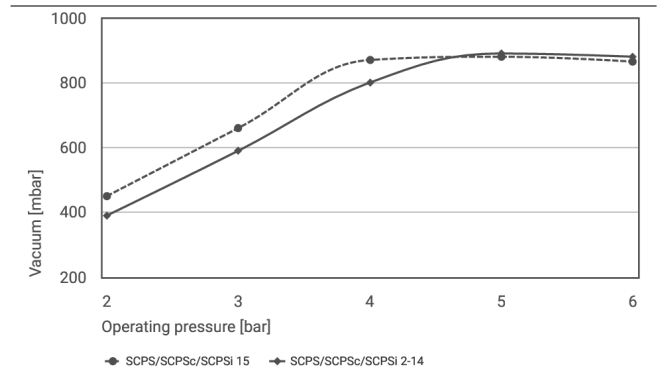
Art.-Nr.: 10.02.02.06835



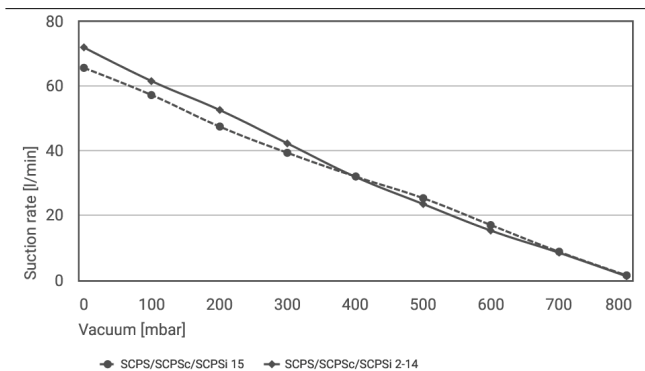
Performance data



Evacuation time for various vacuum ranges [s/l]



Achievable vacuum at various operating pressures



Suction rate at various degrees of evacuation [l/min]



Evacuation time for various vacuum ranges [s/l]

| | 0 | 100 | 200 | 300 | 400 | 500 | 600 | 700 | 800 |
|-----------------------|---|------|------|------|-----|------|------|-----|-----|
| SCPS/SCPSc/SCPSi 15 | - | 0.07 | 0.15 | 0.25 | 0.4 | 0.6 | 0.9 | 1.3 | 2.3 |
| SCPS/SCPSc/SCPSi 2-14 | - | - | - | 0.1 | 0.2 | 0.35 | 0.65 | 1.2 | 2.3 |



Art.-Nr.: 10.02.02.06835

**Achievable vacuum at various operating pressures**

| | 2 | 3 | 4 | 5 | 6 |
|-----------------------|-----|-----|-----|-----|-----|
| SCPS/SCPSc/SCPSi 15 | 450 | 660 | 870 | 880 | 865 |
| SCPS/SCPSc/SCPSi 2-14 | 390 | 590 | 800 | 890 | 880 |

**Suction rate at various degrees of evacuation [l/min]**

| | 0 | 100 | 200 | 300 | 400 | 500 | 600 | 700 | 800 |
|-----------------------|------|------|------|------|------|------|------|-----|-----|
| SCPS/SCPSc/SCPSi 15 | 65.5 | 57.1 | 47.4 | 39.3 | 32 | 25.3 | 17 | 8.8 | 1.5 |
| SCPS/SCPSc/SCPSi 2-14 | 71.8 | 61.4 | 52.5 | 42.2 | 31.9 | 23.5 | 15.3 | 8.5 | 1.2 |

**Further documentation**CAD data and other documents relating to the article can be found at: www.schmalz.com/10.02.02.06835**Ordering Data Accessories 10.02.02.06835**

| Typ | | Item number |
|---------------------------------|------------------------------|----------------|
| Connection cable | ASK B-M12-5 5000 K-5P | 21.04.05.00080 |
| Distributor | ASV SM/CPi B-M12-5 2xS-M12-4 | 10.02.02.03490 |
| Connection cable | ASK B-M12-5 1000 S-M12-5 | 21.04.05.00158 |
| Connection cable | ASK B-M12-5 2000 S-M12-5 | 21.04.05.00211 |
| Top-hat rail clamp comp. | HUT-SN-KL 75x18x9 SCPS | 10.02.02.04149 |
| Exhaust air set | ABL-SET SCPS einstufig | 10.02.02.04216 |
| Compressed-air connection plate | GP 3 SCPS 07..15 G2 | 10.02.02.04884 |
| Compressed-air connection plate | GP 4 SCPS 07..15 G2 | 10.02.02.04338 |
| Compressed-air connection plate | GP 5 SCPS 07..15 G2 | 10.02.02.04858 |
| Compressed-air connection plate | GP 6 SCPS 07..15 G2 | 10.02.02.04837 |
| Compressed-air connection plate | GP 8 SCPS 07..15 G2 | 10.02.02.04937 |
| Mounting set | SET SCPS | 10.02.02.04343 |
| Vacuum filter (inline) | VFI CN8/6 50 | 10.07.01.00245 |



Compact ejector

SCPSi 15 G02 IMP M12-5



Art.-Nr.: 10.02.02.06835



Ordering Data Spare Parts 10.02.02.06835

| Typ | | Item number |
|------------------------------|--------------------------|----------------|
| Silencer insert (round) | SD-EINS 15x16.5 SD | 10.02.02.04141 |
| Sieve, round | SIEB 11x2 X-5 0.415/0.22 | 10.02.02.04404 |
| Set of wearing parts ejector | VST SCPS-einstuf-SD | 10.02.02.04737 |



WWW.SCHMALZ.COM/10.02.02.06835