

Art.-Nr.: 10.02.02.06834

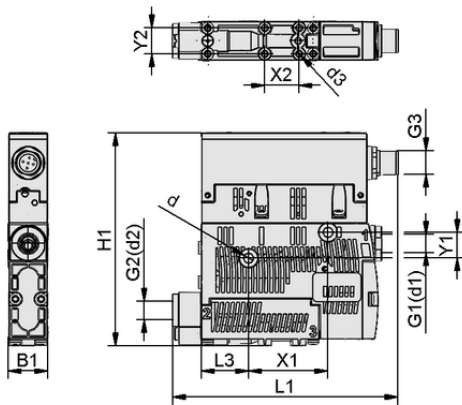
**Technical data**

Max. vacuum	-850 mbar
Air consumption suction	46.0 l/min
Suction rate (max.)	36.0 l/min
Connection	G 1/8" (1)-G 1/8" (2)
Pressure range (operating pressure) [bar]	3.0 ... 6.0 bar
Nozzle size	10
Control valve	Impulse valve
Operation mode	Digital air-saving function

SCPSi 10 G02 IMP M12-5

Compact ejector SCPS / SCPSc / SCPSi is delivered as a ready-to-connect product (without connection cable).

Available accessories: connection cable, distributor, DIN rail mount, filter, compressed air connection plate, mounting set, exhaust air set

**Design data**

Length L1	105.00 mm
Width B1	18.60 mm
Height H1	99.00 mm
Internal diameter d	4.40 mm
Thread G1	G 1/8" -F
Hole size d3	2.6 mm
Length L3	22.00 mm
Hole spacing Y1	12.0 mm
Hole spacing Y2	12.0 mm
Hole spacing X1	36.9 mm
Hole spacing X2	16.0 mm
Thread G3	M12x1-M

Design data SCPSi 10 G02 IMP M12-5



Art.-Nr.: 10.02.02.06834

**Technical data**

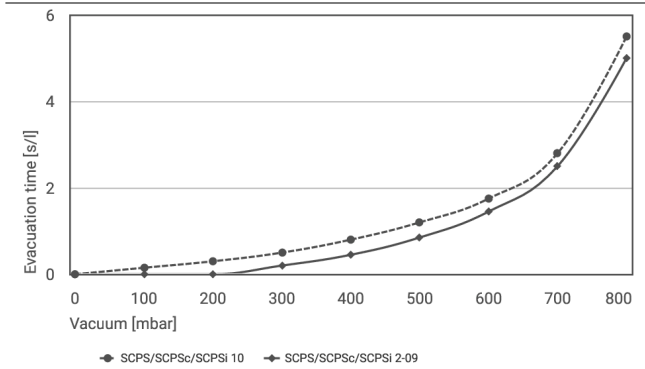
Recommended hose internal diameter compressed air	4.0 mm
Recommended hose internal diameter vacuum	4.0 mm
Degree of evacuation	85.0 %
Sound pressure level suction	61.0 dB(A)
Sound pressure level free	75.0 dB(A)
Weight	0.195 kg
Max. air consumption blow-off	120.0 l/min
Air consumption blow-off	4.237 cfm
Air consumption suction	1.624 cfm
Suction rate (max.)	1.271 cfm
Pressure range (operating pressure) [bar]	3.0 ... 6.0 bar
Operating temperature	°C
Pressure range (operating pressure) [psi]	43.5 ... 87.0
Max. vacuum	-25.100 inHg
Product family	SCPSi
Nozzle size	10
Control valve	Impulse valve



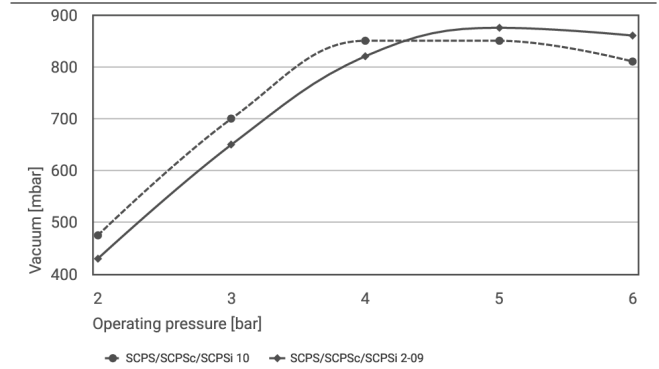
Art.-Nr.: 10.02.02.06834



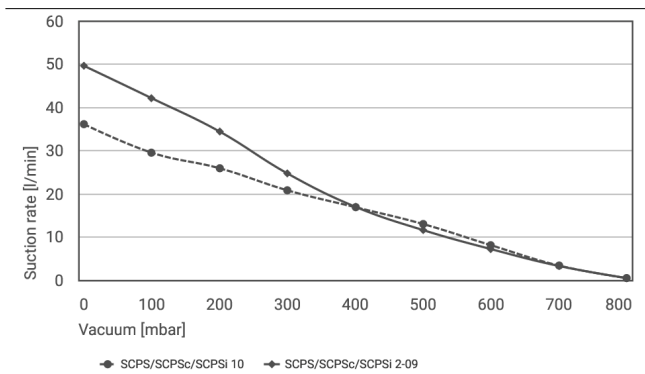
Performance data



Evacuation time for various vacuum ranges [s/l]



Achievable vacuum at various operating pressures



Suction rate at various degrees of evacuation [l/min]



Evacuation time for various vacuum ranges [s/l]

	0	100	200	300	400	500	600	700	800
SCPS/SCPSc/SCPSi 10	-	0.15	0.3	0.5	0.8	1.2	1.75	2.8	5.5
SCPS/SCPSc/SCPSi 2-09	-	-	-	0.2	0.45	0.85	1.45	2.5	5



Art.-Nr.: 10.02.02.06834

**Achievable vacuum at various operating pressures**

	2	3	4	5	6	
SCPS/SCPSc/SCPSi 10	475	700	850	850	810	-
SCPS/SCPSc/SCPSi 2-09	430	650	820	875	860	-

**Suction rate at various degrees of evacuation [l/min]**

	0	100	200	300	400	500	600	700	800
SCPS/SCPSc/SCPSi 10	36.1	29.5	25.9	20.8	16.9	13	8.1	3.4	0.5
SCPS/SCPSc/SCPSi 2-09	49.6	42.1	34.4	24.7	17.0	11.6	7.2	3.3	0.5

**Ordering Data Accessories 10.02.02.06834**

Typ		Item number
Connection cable	ASK B-M12-5 5000 K-5P	21.04.05.00080
Distributor	ASV SM/CPi B-M12-5 2xS-M12-4	10.02.02.03490
Connection cable	ASK B-M12-5 1000 S-M12-5	21.04.05.00158
Connection cable	ASK B-M12-5 2000 S-M12-5	21.04.05.00211
Top-hat rail clamp comp.	HUT-SN-KL 75x18x9 SCPS	10.02.02.04149
Exhaust air set	ABL-SET SCPS einstufig	10.02.02.04216
Compressed-air connection plate	GP 3 SCPS 07..15 G2	10.02.02.04884
Compressed-air connection plate	GP 4 SCPS 07..15 G2	10.02.02.04338
Compressed-air connection plate	GP 5 SCPS 07..15 G2	10.02.02.04858
Compressed-air connection plate	GP 6 SCPS 07..15 G2	10.02.02.04837
Compressed-air connection plate	GP 8 SCPS 07..15 G2	10.02.02.04937
Mounting set	SET SCPS	10.02.02.04343
Vacuum filter (inline)	VFI CN6/4 50	10.07.01.00241

**Ordering Data Spare Parts 10.02.02.06834**

Typ		Item number
Silencer insert (round)	SD-EINS 15x16.5 SD	10.02.02.04141
Sieve, round	SIEB 11x2 X-5 0.415/0.22	10.02.02.04404
Set of wearing parts ejector	VST SCPS-einstuf-SD	10.02.02.04737

