

Art.-Nr.: 10.02.02.06830



SCPSi 07 M G02 IMP M12-5

Compact ejector SCPS / SCPSc / SCPSi is delivered as a ready-to-connect product (without connection cable).

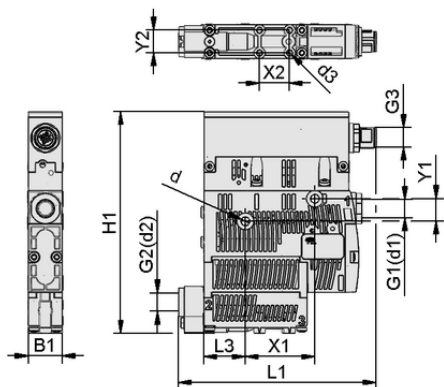
Available accessories: connection cable, distributor, DIN rail mount, filter, compressed air connection plate, mounting set, exhaust air set

Technical data

Electrical connection	Male connect M12, 5 pol
Max. vacuum	-850 mbar
Air consumption suction	22.0 l/min
Suction rate (max.)	16.0 l/min
Connection	G1/8" (1)-G1/8" (2)
Pressure range (operating pressure) [bar]	3.0 ... 6.0 bar
Shape compact ejectors	Power blow-off
Nozzle size	07
Control valve	Impulse valve
Operation mode	Digital air-saving function

Design data

Length L1	105.00 mm
Width B1	18.60 mm
Height H1	117.80 mm
Internal diameter d	4.40 mm
Thread G1	G1/8"-F
Thread G2	G1/8"-F
Hole size d3	2.6 mm
Shape compact ejectors	Power blow-off
Length L3	22.00 mm
Hole spacing Y1	12.0 mm
Hole spacing Y2	12.0 mm
Hole spacing X1	36.9 mm
Hole spacing X2	16.0 mm
Thread G3	M12x1-M



Design data SCPSi 07 M G02 IMP M12-5



Art.-Nr.: 10.02.02.06830

**Technical data**

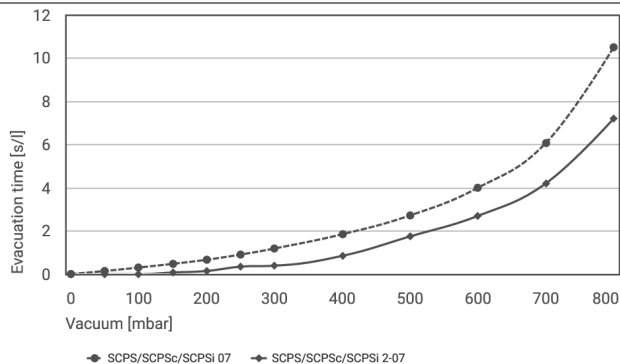
Recommended hose internal diameter compressed air	4.0 mm
Recommended hose internal diameter vacuum	4.0 mm
Degree of evacuation	85.0 %
Sound pressure level suction	58.0 dB(A)
Sound pressure level free	63.0 dB(A)
Weight	0.213 kg
Max. air consumption blow-off	120.0 l/min
Air consumption blow-off	4.237 cfm
Air consumption suction	0.776 cfm
Suction rate (max.)	0.565 cfm
Pressure range (operating pressure) [bar]	3.0 ... 6.0 bar
Operating temperature	°C
Pressure range (operating pressure) [psi]	43.5 ... 87.0
Max. vacuum	-25.100 inHg
Product family	SCPSi
Nozzle size	07
Control valve	Impulse valve



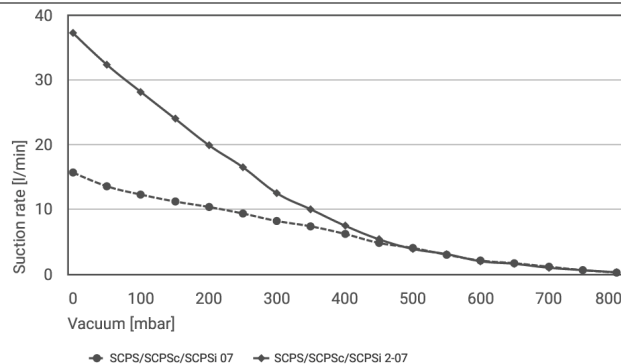
Art.-Nr.: 10.02.02.06830



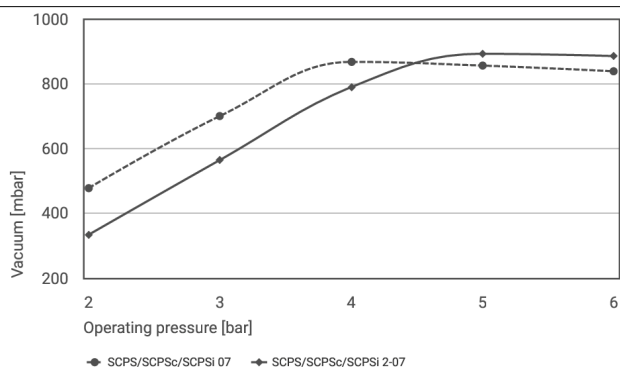
Performance data



Evacuation time for various vacuum ranges [s/l]



Suction rate at various degrees of evacuation [l/min]



Achievable vacuum at various operating pressures



Evacuation time for various vacuum ranges [s/l]

	0	50	100	150	200	250	300	400	500	600	700	800
SCPS/SCPSc/ SCPSi 07	0.01	0.15	0.31	0.48	0.67	0.91	1.19	1.85	2.72	4.00	6.07	10.5
SCPS/SCPSc/ SCPSi 2-07	0.00	0.00	0.00	0.08	0.15	0.35	0.4	0.85	1.75	2.7	4.2	7.2



Art.-Nr.: 10.02.02.06830

**Suction rate at various degrees of evacuation [l/min]**

	0	50	100	150	200	250	300	350	400	450	500	550	600	650	700	750	800
SCPS/ SCPSc/ SCPSi 07	15.69	13.56	12.28	11.22	10.37	9.36	8.21	7.38	6.22	4.83	4.05	3.00	2.11	1.69	1.16	0.63	0.25
SCPS/ SCPSc/ SCPSi 2-07	37.2	32.30	28.10	24.00	19.90	16.50	12.50	10.00	7.50	5.40	3.90	3.10	2.00	1.60	1.00	0.63	0.30

**Achievable vacuum at various operating pressures**

	2	3	4	5	6
SCPS/SCPSc/SCPSi 07	477.81	700.18	867.18	855.86	838.29
SCPS/SCPSc/SCPSi 2-07	334.00	564.57	789.19	892.20	885.26

**Ordering Data Accessories 10.02.02.06830**

Typ		Item number
Connection cable	ASK B-M12-5 5000 K-5P	21.04.05.00080
Distributor	ASV SM/CPi B-M12-5 2xS-M12-4	10.02.02.03490
Connection cable	ASK B-M12-5 1000 S-M12-5	21.04.05.00158
Connection cable	ASK B-M12-5 2000 S-M12-5	21.04.05.00211
Top-hat rail clamp comp.	HUT-SN-KL 75x18x9 SCPS	10.02.02.04149
Exhaust air set	ABL-SET SCPS einstufig	10.02.02.04216
Compressed-air connection plate	GP 3 SCPS 07..15 G2	10.02.02.04884
Compressed-air connection plate	GP 4 SCPS 07..15 G2	10.02.02.04338
Compressed-air connection plate	GP 5 SCPS 07..15 G2	10.02.02.04858
Compressed-air connection plate	GP 6 SCPS 07..15 G2	10.02.02.04837
Compressed-air connection plate	GP 8 SCPS 07..15 G2	10.02.02.04937
Mounting set	SET SCPS	10.02.02.04343
Vacuum filter (inline)	VFI CN6/4 50	10.07.01.00241
Vacuum filter (inline)	VFI 4/2 50	10.07.01.00329

**Ordering Data Spare Parts 10.02.02.06830**

Typ		Item number
Silencer insert (round)	SD-EINS 15x16.5 SD	10.02.02.04141
Sieve, round	SIEB 11x2 X-5 0.415/0.22	10.02.02.04404
Set of wearing parts ejector	VST SCPS-einstuf-SD	10.02.02.04737
Release module (inst)	MOD-ABW 54.8x18x19 SCPS/i/t	10.02.02.06491

