

Art.-Nr.: 10.02.02.06754



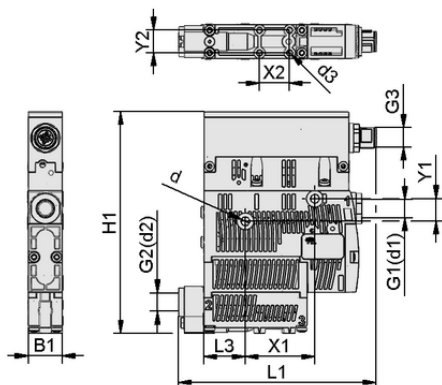
SCPSi 15 M G02 NC M12-5

Technical data

Electrical connection	Male connect M12, 5 pol
Protection type IP	IP 65 (with plug)
Max. vacuum	-850 mbar
Air consumption suction	98.5 l/min
Suction rate (max.)	65.5 l/min
Connection	G1/8" (1)-G1/8" (2)
Pressure range (operating pressure) [bar]	3.0 ... 6.0 bar
Shape compact ejectors	Power blow-off
Nozzle size	15
Control valve	Normally closed
Operation mode	Digital air-saving function

Compact ejector SCPS / SCPSc / SCPSi is delivered as a ready-to-connect product (without connection cable).

Available accessories: connection cable, distributor, DIN rail mount, filter, compressed air connection plate, mounting set, exhaust air set



Design data SCPSi 15 M G02 NC M12-5

Design data

Length L1	105.00 mm
Width B1	18.60 mm
Height H1	117.80 mm
Internal diameter d	4.40 mm
Thread G1	G1/8"-F
Thread G2	G1/8"-F
Hole size d3	2.6 mm
Shape compact ejectors	Power blow-off
Length L3	22.00 mm
Hole spacing Y1	12.0 mm
Hole spacing Y2	12.0 mm
Hole spacing X1	36.9 mm
Hole spacing X2	16.0 mm
Thread G3	M12x1-M



Art.-Nr.: 10.02.02.06754

**Technical data**

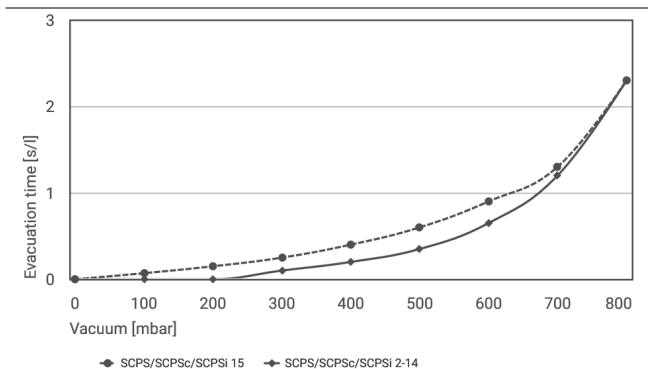
Recommended hose internal diameter compressed air	4.0 mm
Recommended hose internal diameter vacuum	6.0 mm
Degree of evacuation	85.0 %
Sound pressure level suction	65.0 dB(A)
Sound pressure level free	77.0 dB(A)
Weight	0.213 kg
Max. air consumption blow-off	120.0 l/min
Air consumption blow-off	4.237 cfm
Air consumption suction	3.478 cfm
Suction rate (max.)	2.313 cfm
Pressure range (operating pressure) [bar]	3.0 ... 6.0 bar
Operating temperature	0 ... 50 °C
Pressure range (operating pressure) [psi]	43.5 ... 87.0
Max. vacuum	-25.100 inHg
Product family	SCPSi
Nozzle size	15
Control valve	Normally closed



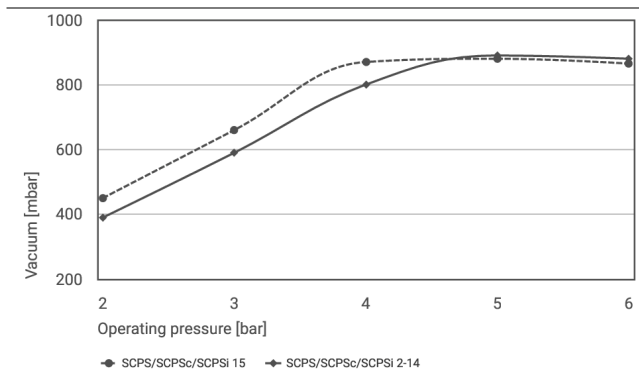
Art.-Nr.: 10.02.02.06754



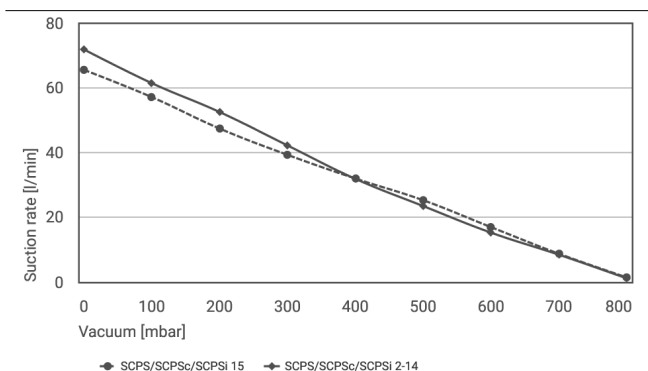
Performance data



Evacuation time for various vacuum ranges [s/l]



Achievable vacuum at various operating pressures



Suction rate at various degrees of evacuation [l/min]



Evacuation time for various vacuum ranges [s/l]

	0	100	200	300	400	500	600	700	800
SCPS/SCPSc/SCPSi 15	-	0.07	0.15	0.25	0.4	0.6	0.9	1.3	2.3
SCPS/SCPSc/SCPSi 2-14	-	-	-	0.1	0.2	0.35	0.65	1.2	2.3



Art.-Nr.: 10.02.02.06754

**Achievable vacuum at various operating pressures**

	2	3	4	5	6
SCPS/SCPSc/SCPSi 15	450	660	870	880	865
SCPS/SCPSc/SCPSi 2-14	390	590	800	890	880

**Suction rate at various degrees of evacuation [l/min]**

	0	100	200	300	400	500	600	700	800
SCPS/SCPSc/SCPSi 15	65.5	57.1	47.4	39.3	32	25.3	17	8.8	1.5
SCPS/SCPSc/SCPSi 2-14	71.8	61.4	52.5	42.2	31.9	23.5	15.3	8.5	1.2

**Ordering Data Accessories 10.02.02.06754**

Typ		Item number
Connection cable	ASK B-M12-5 5000 K-5P	21.04.05.00080
Distributor	ASV SM/CPi B-M12-5 2xS-M12-4	10.02.02.03490
Vacuum filter (inline)	VFI CN8/6 50	10.07.01.00245
Compressed-air connection plate	GP 3 SCPS 07..15 G2	10.02.02.04884
Compressed-air connection plate	GP 4 SCPS 07..15 G2	10.02.02.04338
Compressed-air connection plate	GP 5 SCPS 07..15 G2	10.02.02.04858
Compressed-air connection plate	GP 6 SCPS 07..15 G2	10.02.02.04837
Compressed-air connection plate	GP 8 SCPS 07..15 G2	10.02.02.04937
Mounting set	SET SCPS	10.02.02.04343
Exhaust air set	ABL-SET SCPS einstufig	10.02.02.04216
Connection cable	ASK B-M12-5 1000 S-M12-5	21.04.05.00158
Connection cable	ASK B-M12-5 2000 S-M12-5	21.04.05.00211
Top-hat rail clamp comp.	HUT-SN-KL 75x18x9 SCPS	10.02.02.04149

**Ordering Data Spare Parts 10.02.02.06754**

Typ		Item number
Silencer insert (round)	SD-EINS 15x16.5 SD	10.02.02.04141
Sieve, round	SIEB 11x2 X-5 0.415/0.22	10.02.02.04404
Set of wearing parts ejector	VST SCPS-einstuf-SD	10.02.02.04737
Release module (inst)	MOD-ABW 54.8x18x19 SCPS/i/t	10.02.02.06491

