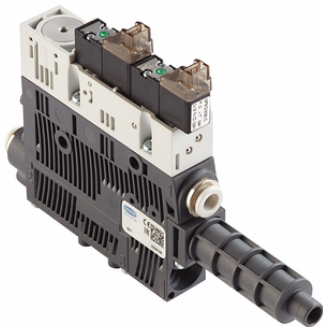


Art.-Nr.: 10.02.02.06282



SCPSb-UHV-HD 11 S04 NO

Compact ejector SCPSb- / SCPS- / SCPSc- / SCPSi-UHV-HD is delivered as a ready-to-connect product (without connection cable).

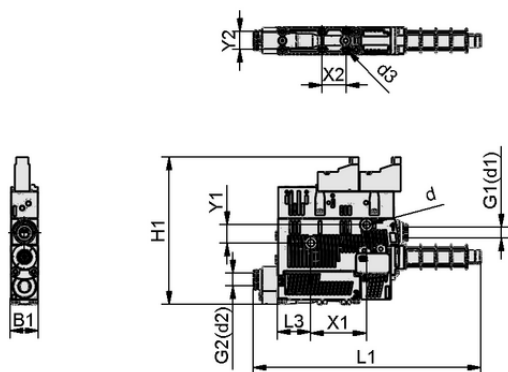
Available accessories: connection cable, distributor, top-hat rail clamp, filter, compressed air connection plate, mounting set

Technical data

Nozzle diameter	1.1 mm
Shape compact ejectors	HD
Protection type IP	IP 40 (with plug)
Max. vacuum	-910 mbar
Sound pressure level free	68.0 dB(A)
Air consumption suction	37.5 l/min
Suction rate (max.)	27.8 l/min
Connection	Hose D6(1)-D6(2)
Pressure range (operating pressure) [bar]	3.0 ... 6.0 bar
Control valve	Normally open

Design data

Length L1	151.00 mm
Length L2	81.60 mm
Length L	135.00 mm
Width B1	18.60 mm
Width B	18.00 mm
Height H2	40.80 mm
Height H	78.00 mm
Outside diameter D2	9.0 mm
Outside diameter D	16.50 mm
Internal diameter d	4.40 mm
Hole size d3	2.6 mm
Length L3	22.00 mm
Length L4	31.00 mm
Height H3	47.50 mm
Height H4	16.50 mm
Hole spacing Y1	12.0 mm
Hole spacing Y2	12.0 mm
Hole spacing X1	36.9 mm
Hole spacing X2	16.0 mm
Height H5	5.50 mm



Design data SCPSb-UHV-HD 11 S04 NO



Art.-Nr.: 10.02.02.06282

**Technical data**

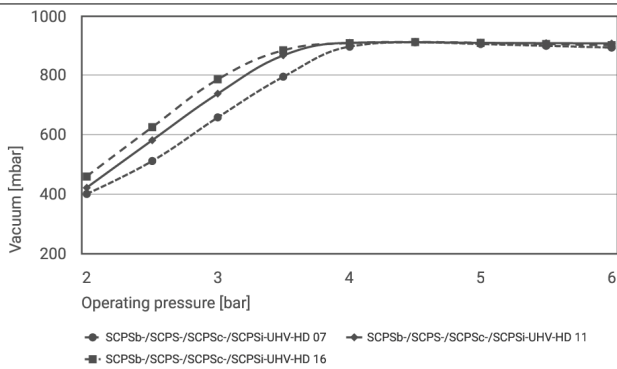
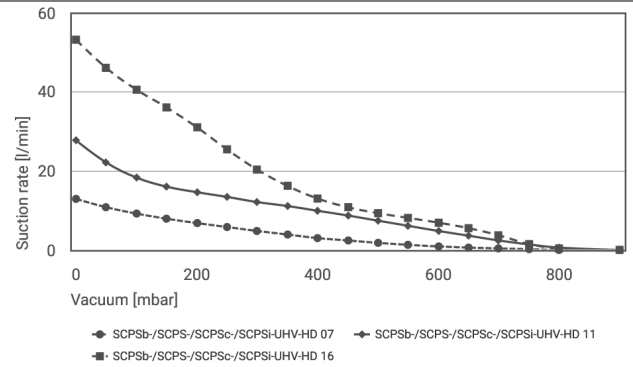
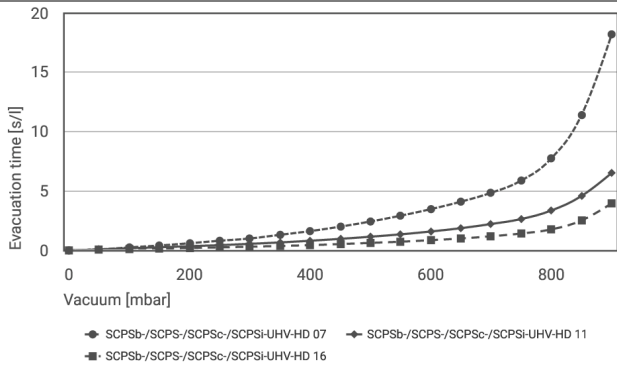
Degree of evacuation	91.0 %
Sound pressure level suction	75.0 dB(A)
Sound pressure level free	68.0 dB(A)
Weight	0.210 kg
Max. air consumption blow-off	120.0 l/min
Air consumption blow-off	4.178 cfm
Air consumption suction	1.324 cfm
Suction rate (max.)	0.981 cfm
Pressure range (operating pressure) [bar]	3.0 ... 6.0 bar
Operating temperature	5 ... 50 °C
Pressure range (operating pressure) [psi]	43.5 ... 87.0
Max. vacuum	-26.872 inHg
Product family	SCPSb-UHV-HD
Nozzle size	11
Connection	S04
Control valve	Normally open



Art.-Nr.: 10.02.02.06282



Performance data



Art.-Nr.: 10.02.02.06282

	0	50	100	150	200	250	300	350	400	450	500	550	600	650	700	750	800	850	900
SCPSb-/ SCPS-/ SCPSc-/ SCPSi- UHV-HD 07	0.00	0.08	0.25	0.41	0.60	0.81	1.00	1.31	1.62	2.00	2.43	2.92	3.47	4.10	4.85	5.88	7.75	11.39	18.19
SCPSb-/ SCPS-/ SCPSc-/ SCPSi- UHV-HD 11	0.00	0.08	0.18	0.26	0.35	0.44	0.55	0.67	0.81	0.97	1.15	1.35	1.59	1.87	2.22	2.64	3.36	4.58	6.52
SCPSb-/ SCPS-/ SCPSc-/ SCPSi- UHV-HD 16	0.00	0.07	0.11	0.15	0.20	0.25	0.31	0.37	0.44	0.53	0.63	0.73	0.86	1.00	1.19	1.42	1.77	2.52	3.96

	0	50	100	150	200	250	300	350	400	450	500	550	600	650	700	750	800	900
SCPSb-/ SCPS-/ SCPSc-/ SCPSi- UHV-HD 07	13.0	10.9	9.3	8.0	6.9	5.9	4.9	4.0	3.1	2.5	1.9	1.4	1.0	0.7	0.5	0.3	0.1	0.1
SCPSb-/ SCPS-/ SCPSc-/ SCPSi- UHV-HD 11	27.8	22.2	18.4	16.1	14.7	13.5	12.2	11.2	10.0	8.8	7.5	6.2	4.9	3.7	2.5	1.5	0.7	0.1
SCPSb-/ SCPS-/ SCPSc-/ SCPSi- UHV-HD 16	53.2	46.1	40.6	36.1	31.1	25.5	20.4	16.3	13.1	10.9	9.4	8.2	7.0	5.6	3.8	1.6	0.5	0.1

	2.0	2.5	3.0	3.5	4.0	4.5	5.0	5.5	6.0
SCPSb-/SCPS-/ SCPSc-/SCPSc-/UHV- HD 07	400	511	658	795	896	911	905	899	893
SCPSb-/SCPS-/ SCPSc-/SCPSc-/UHV- HD 11	421	581	738	867	909	911	909	908	907
SCPSb-/SCPS-/ SCPSc-/SCPSc-/UHV- HD 16	459	625	786	884	908	912	909	905	901



Art.-Nr.: 10.02.02.06282

**Ordering Data Accessories 10.02.02.06282**

Typ		Item number
Connection cable	ASK B-MIC10 3000 K-2P	21.04.06.00086
Connection cable	ASK B-M12-5 1000 S-M12-5	21.04.05.00158
Connection cable	ASK B-M12-5 2000 S-M12-5	21.04.05.00211
Distributor	ASV SM/CPi B-M12-5 2xS-M12-4	10.02.02.03490
Top-hat rail clamp comp.	HUT-SN-KL 75x18x9 SCPS	10.02.02.04149
Vacuum filter (inline)	VFI CN6/4 50	10.07.01.00241
Vacuum filter (inline)	VFI 6/4 50	10.07.01.00328

**Ordering Data Spare Parts 10.02.02.06282**

Typ		Item number
Silencer (round)	SD 16.5x51 SCPS	10.02.02.05094
Vacuum set, ejector (inst.)	VACU-SET 11 12.80x76.60 SCPS	10.02.02.06279
Maintenance set ejector	WART SCPS/SCPSi-HD	10.02.02.06343

