

Art.-Nr.: 10.02.02.06055



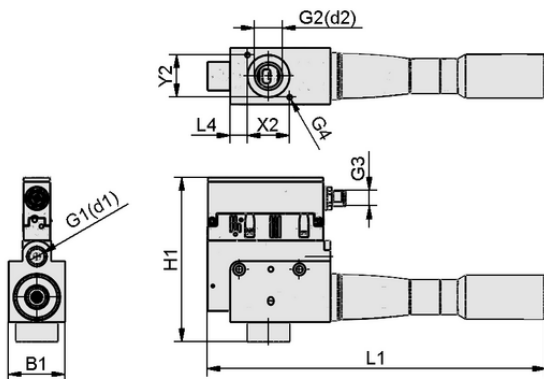
SCPS-L HV 3-20 NO M12-5 PNP

Technical data

Construction vacuum switch	PNP switching
Electrical connection	M12-5
Protection type IP	IP 65 (with plug)
Nozzle size	3-20
Sound pressure level free	81.0 dB(A)
Air consumption suction	172.0 l/min
Suction rate (max.)	323.0 l/min
Connection	G1/4"
Pressure range (operating pressure) [bar]	4.0 ... 6.0 bar
Shape	High vacuum
Control valve	Normally open

Compact ejector SCPS-L / SCPSc-L / SCPSi-L is delivered as a ready-to-connect product (without connection cable).

Available accessories: connection cable, ejector module, silencer, filter



Design data SCPS-L HV 3-20 NO M12-5 PNP

Design data

Length L1	230.00 mm
Width B1	37.50 mm
Height H1	109.00 mm
Thread G1	G1/4"-F
Thread G2	G1/2"-F
Length L4	11.50 mm
Hole spacing Y2	28.0 mm
Hole spacing X2	28.0 mm
Thread G4	M4-F
Thread G3	M12x1-M



Art.-Nr.: 10.02.02.06055

**Technical data**

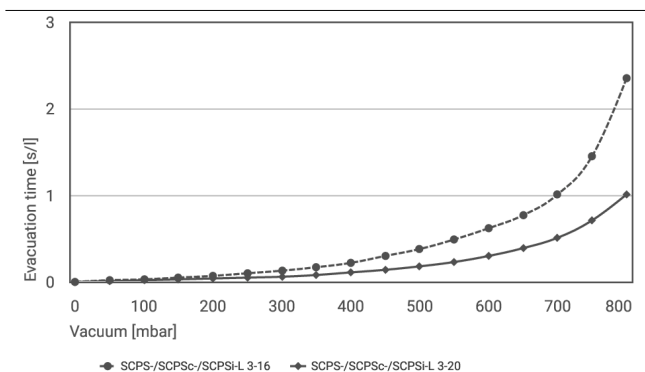
Nozzle diameter	2.0 mm
Construction vacuum switch	PNP switching
Electrical connection	Male connect M12, 5 pol
Protection type IP	IP 65 (with plug)
Recommended hose internal diameter compressed air	6.0 mm
Recommended hose internal diameter vacuum	14.0 mm
Degree of evacuation	90.0 %
Weight	460.00 g
Max. air consumption blow-off	257.0 l/min
Air consumption suction	10.300 m ³ /h
Suction rate (max.)	323.0 l/min
Pressure range (operating pressure) [bar]	4.0 ... 6.0 bar
Operating temperature	0 ... 50 °C
Product family	SCPS-L
Nozzle size	3-20
Control valve	Normally open



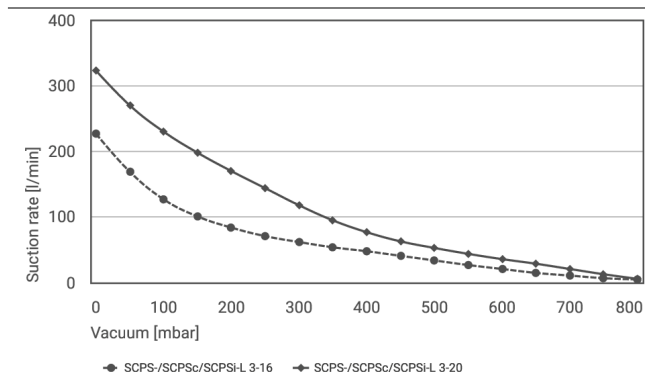
Art.-Nr.: 10.02.02.06055



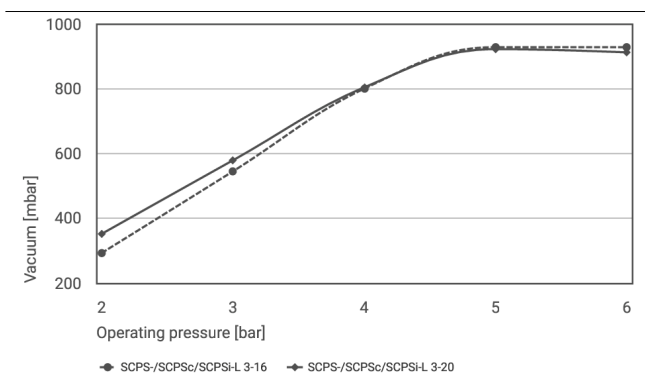
Performance data



Evacuation time for various vacuum ranges [s/l]



Suction rate at various degrees of evacuation [l/min]



Achievable vacuum at various operating pressures



Evacuation time for various vacuum ranges [s/l]

	0	50	100	150	200	250	300	350	400	450	500	550	600	650	700	750	800
SCPS-/SCPSc-/SCPSi-L 3-16	0.00	0.02	0.03	0.05	0.07	0.10	0.13	0.17	0.22	0.30	0.38	0.49	0.62	0.77	1.01	1.45	2.35
SCPS-/SCPSc-/SCPSi-L 3-20	0.00	0.01	0.02	0.03	0.04	0.05	0.06	0.08	0.11	0.14	0.18	0.23	0.30	0.39	0.51	0.71	1.01



Art.-Nr.: 10.02.02.06055

**Suction rate at various degrees of evacuation [l/min]**

	0	50	100	150	200	250	300	350	400	450	500	550	600	650	700	750	800
SCPS-/ SCPSc/ SCPSi-L 3-16	227	169	127	101	84	71	62	54	48	41	34	27	21	15	11	7	5
SCPS-/ SCPSc/ SCPSi-L 3-20	323	270	230	198	170	144	118	95	77	63	53	44	36	29	21	13	6

**Achievable vacuum at various operating pressures**

	2	3	4	5	6
SCPS-/SCPSc/SCPSi-L 3-16	293	545	800	928	928
SCPS-/SCPSc/SCPSi-L 3-20	352	579	804	922	912



31.05.2027

10.02.02.07519 SCPSc-L HV 3-20 NO M12-5 PNP

**Ordering Data Accessories 10.02.02.06055**

Typ		Item number
Connection cable	ASK B-M12-5 5000 K-5P	21.04.05.00080
Connection cable	ASK B-M12-5 2000 S-M12-5	21.04.05.00211
Silencer (round)	SD 29x70 SHC 22	10.02.01.01517
Silencer (round)	SD 29x121.5 SHC 22	10.02.01.01831

**Ordering Data Spare Parts 10.02.02.06055**

Typ		Item number
Silencer (round)	SD 29x121.5 SHC 22	10.02.01.01831
Silencer (round)	SD 29x70 SHC 22	10.02.01.01517
Schmalz Holder Cap	SHC 3 22	10.02.01.01810

