

Art.-Nr.: 10.02.02.05301



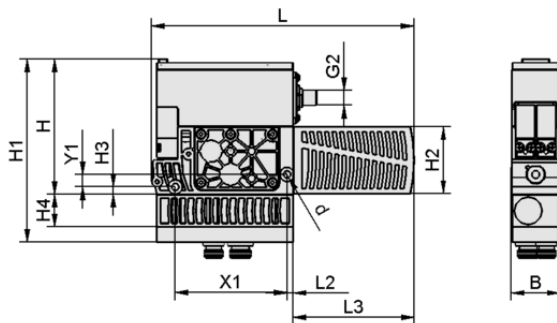
SXMPi 30 NC Q M12-5

The compact ejector SXMPi Class B is supplied as a product ready for connection (without connection cable).

Available accessories: connection cable, base plate, ejector tester

### Technical data

Nozzle diameter	3.0 mm
Electrical connection	Male connect M12, 5 pol
Protection type IP	IP 65
Max. vacuum	-850 mbar
Sound pressure level free	72.0 dB(A)
Air consumption suction	380.0 l/min
Suction rate (max.)	220.0 l/min
Communication	IO-Link (Class B)
Pressure range (operating pressure) [bar]	3.0 ... 6.0 bar
Control valve	Normally closed



Design data SXMPi 30 NC Q M12-5

### Design data

Length L2	5.00 mm
Length L	210.00 mm
Width B	39.00 mm
Height H1	146.00 mm
Height H2	54.00 mm
Height H	108.00 mm
Internal diameter d	5.50 mm
Thread G2	M12x1-M
Length L3	97.00 mm
Height H3	6.00 mm
Height H4	26.00 mm
Hole spacing Y1	10.0 mm
Hole spacing X1	89.0 mm

Art.-Nr.: 10.02.02.05301

**Technical data**

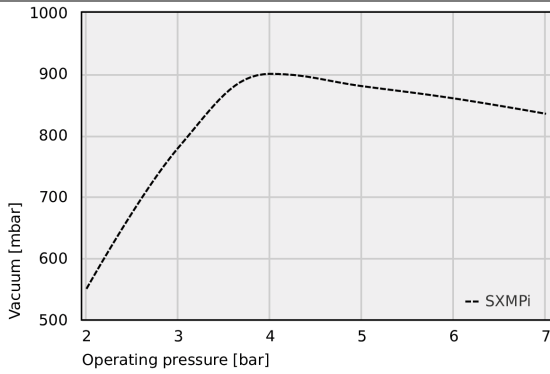
Nozzle diameter	3.0 mm
Recommended hose internal diameter compressed air	8.0 mm
Recommended hose internal diameter vacuum	9.0 mm
Degree of evacuation	85.0 %
Sound pressure level free	72.0 dB(A)
Weight	0.960 kg
Max. air consumption blow-off	320.0 l/min
Air consumption suction	13.419 cfm
Suction rate (max.)	7.769 cfm
Pressure range (operating pressure) [bar]	3.0 ... 6.0 bar
Operating temperature	0 ... 50 °C
Pressure range (operating pressure) [psi]	43.5 ... 87.0
Product family	SXMPi
Control valve	Normally closed



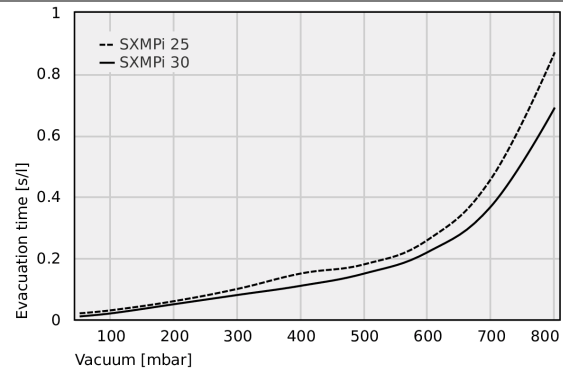
Art.-Nr.: 10.02.02.05301



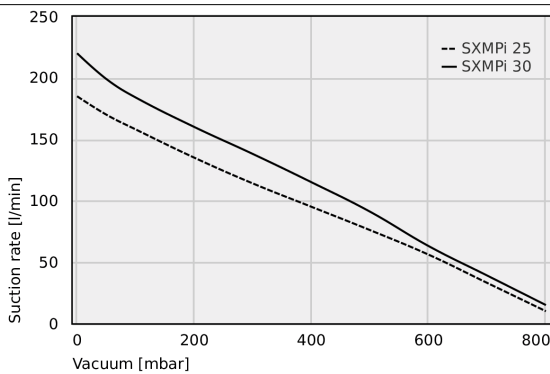
**Performance data**



Achievable vacuum at various operating pressures



Evacuation time for various vacuum ranges [s/l]



Suction rate at various degrees of evacuation [l/min]



**Achievable vacuum at various operating pressures**

	2	3	4	5	6	7
SXMPi	550.00	780.00	900.00	880.00	860.00	835.00



**Evacuation time for various vacuum ranges [s/l]**

	50	100	200	300	400	500	600	700	800
SXMPi 25	0.02	0.03	0.06	0.10	0.15	0.18	0.26	0.46	0.87
SXMPi 30	0.01	0.02	0.05	0.08	0.11	0.15	0.22	0.37	0.69



Art.-Nr.: 10.02.02.05301

**Suction rate at various degrees of evacuation [l/min]**

	0	50	100	200	300	400	500	600	700	800
SXMPi 25	185	170	158	135	114	95	76	56	33	10
SXMPi 30	220	199	184	160	138	115	91	63	39	15

**Ordering Data Accessories 10.02.02.05301**

Typ		Item number
Connection cable	ASK B-M12-5 5000 S-M12-5	21.04.05.00266
Connection cable	ASK B-M12-5 2000 S-M12-5	21.04.05.00211
Connection cable	ASK B-M12-5 5000 K-5P	21.04.05.00080

