

Art.-Nr.: 10.02.02.04828

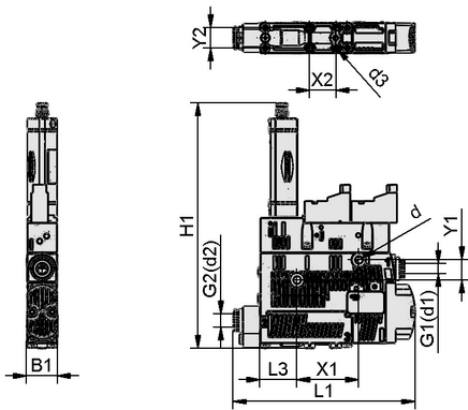
**Technical data**

Max. vacuum	-850 mbar
Air consumption suction	46.0 l/min
Suction rate (max.)	36.0 l/min
Connection	Hose D6(1)-D6(2)
Nozzle size	10
Control valve	Normally open
Functionality of the ejector	digital vacuum switch

SCPSb 10 S04 NO VD

Compact ejector SCPSb is delivered as a ready-to-connect product (without connection cable).

Available accessories: connection cable, top-hat rail clamp, vacuum filter, compressed air connection plate, mounting set, exhaust air set

**Design data**

Length L1	102.50 mm
Width B1	18.60 mm
Height H1	146.00 mm
Internal diameter d1	6.0 mm
d2	6.0 mm
Internal diameter d	4.40 mm
Hole size d3	2.6 mm
Length L3	22.00 mm
Hole spacing Y1	12.0 mm
Hole spacing Y2	12.0 mm
Hole spacing X1	36.9 mm
Hole spacing X2	16.0 mm

Design data SCPSb 10 S04 NO VD



Art.-Nr.: 10.02.02.04828



Technical data

Protection type IP	IP 40 (with plug)
Degree of evacuation	85.0 %
Weight	0.165 kg
Max. air consumption blow-off	120.0 l/min
Air consumption blow-off	7.200 m ³ /h
Suction rate (max.)	2.210 m ³ /h
Optimal operating pressure	4.50 bar
Pressure range (operating pressure) [bar]	3.0 ... 6.0 bar
Product family	SCPSb
Nozzle size	10
Control valve	Normally open
Functionality of the ejector	digital vacuum switch



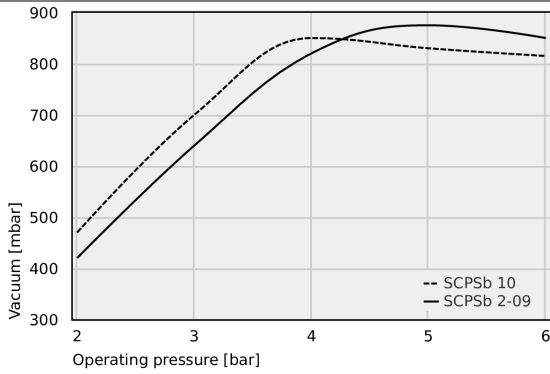
Compact ejector
SCPSb 10 S04 NO VD



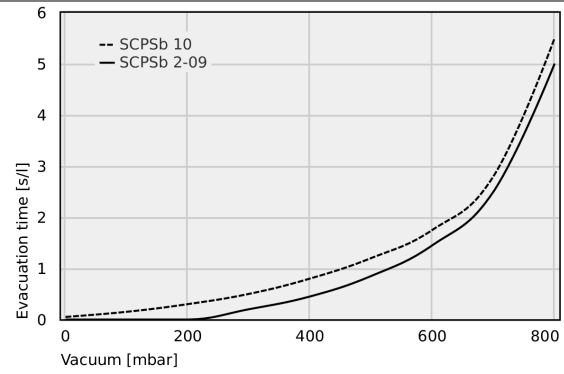
Art.-Nr.: 10.02.02.04828



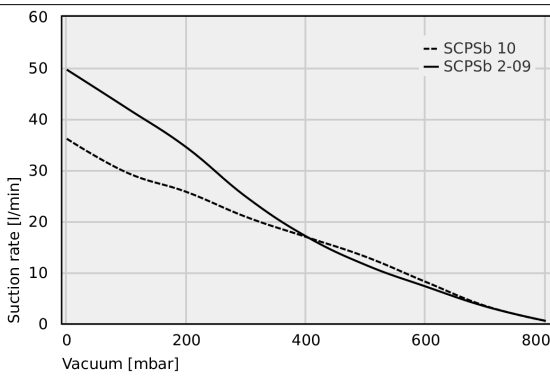
Performance data



Achievable vacuum at various operating pressures



Evacuation time for various vacuum ranges [s/l]



Suction rate at various degrees of evacuation [l/min]



Achievable vacuum at various operating pressures

	2	3	4	5	6
SCPSb 10	470	700	850	830	815
SCPSb 2-09	420	640	820	875	850



WWW.SCHMALZ.COM/10.02.02.04828

Art.-Nr.: 10.02.02.04828

**Evacuation time for various vacuum ranges [s/l]**

	0	100	200	300	400	500	600	700	800
SCPSb 10	0.05	0.15	0.3	0.5	0.8	1.2	1.75	2.8	5.5
SCPSb 2-09	0.0	0.0	0.00	0.2	0.45	0.85	1.45	2.5	5.0

**Suction rate at various degrees of evacuation [l/min]**

	0	100	200	300	400	500	600	700	800
SCPSb 10	36.1	29.5	25.7	20.8	16.9	13	8.1	3.4	0.5
SCPSb 2-09	49.6	42.1	34.4	24.7	17	11.4	7.2	3.3	0.5

**Ordering Data Accessories 10.02.02.04828**

Typ		Item number
Exhaust air set	ABL-SET SCPS einstufig	10.02.02.04216
Connection cable	ASK B-MIC10 3000 K-2P	21.04.06.00086
Connection cable	ASK B-M8-4 5000 K-4P	10.06.02.00031
Top-hat rail clamp comp.	HUT-SN-KL 75x18x9 SCPS	10.02.02.04149
Mounting set	SET SCPS	10.02.02.04343
Vacuum cup filter	VFT G1/8-IG 80	10.07.01.00116
Vacuum filter (inline)	VFI CN8/6 50	10.07.01.00245
Vacuum hose (meter)	VSL 8-6 PU MI-TR	10.07.09.00003

