

Art.-Nr.: 10.02.02.03811

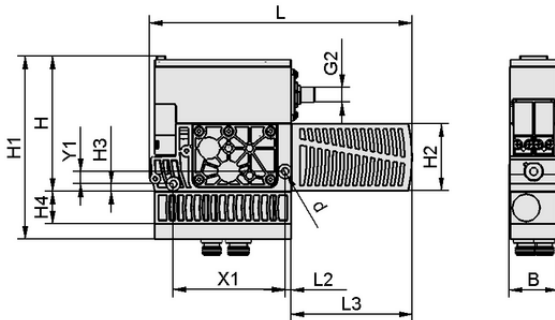
**Technical data**

Nozzle diameter	2.5 mm
Electrical connection	2xConnect M12, 5+5 pol
Protection type IP	IP 65
Max. vacuum	-850 mbar
Sound pressure level free	67.0 dB(A)
Air consumption suction	290.0 l/min
Suction rate (max.)	185.0 l/min
Communication	IO-Link (Class A)
Pressure range (operating pressure) [bar]	3.0 ... 6.0 bar
Control valve	Normally closed

SXMPi 25 NC Q 2xM12-5

Compact ejector SXPi / SXMPi is delivered as a ready-to-connect product (without connection cable).

Available spare parts: connection cable, base plate, ejector tester

**Design data**

Length L2	5.00 mm
Length L	210.00 mm
Width B	39.00 mm
Height H1	146.00 mm
Height H2	54.00 mm
Height H	108.00 mm
Internal diameter d	5.50 mm
Thread G2	M12x1-M
Length L3	97.00 mm
Height H3	6.00 mm
Height H4	26.00 mm
Hole spacing Y1	10.0 mm
Hole spacing X1	89.0 mm

Design data SXMPi 25 NC Q 2xM12-5



Art.-Nr.: 10.02.02.03811

**Technical data**

Nozzle diameter	2.5 mm
Recommended hose internal diameter compressed air	8.0 mm
Recommended hose internal diameter vacuum	9.0 mm
Degree of evacuation	85.0 %
Sound pressure level free	67.0 dB(A)
Weight	0.960 kg
Max. air consumption blow-off	320.0 l/min
Air consumption suction	10.241 cfm
Suction rate (max.)	6.533 cfm
Pressure range (operating pressure) [bar]	3.0 ... 6.0 bar
Operating temperature	0 ... 50 °C
Pressure range (operating pressure) [psi]	43.5 ... 87.0
Product family	SXMPi
Control valve	Normally closed

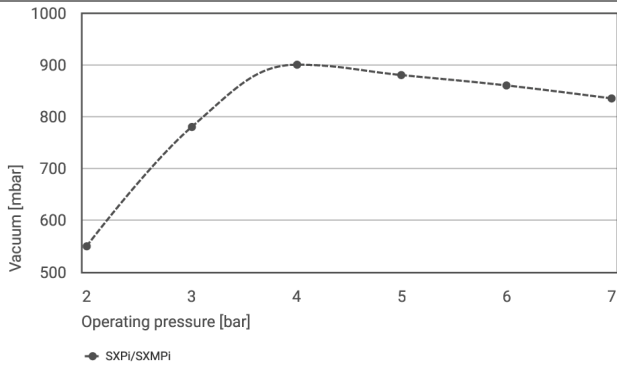
Note: The supply voltage for vacuum switches and solenoid valves is 24V DC Air consumption: At optimal operating pressure Hose diameter: For max. length 2 m



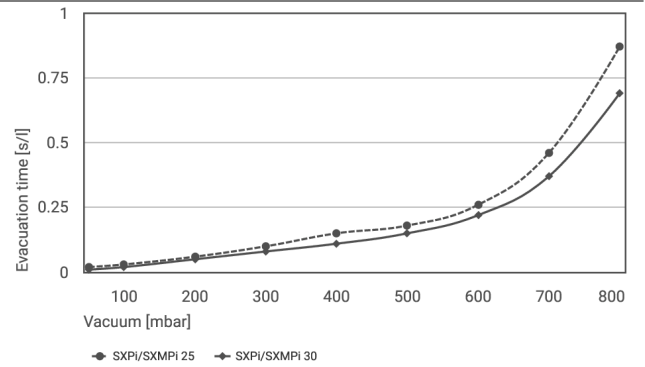
Art.-Nr.: 10.02.02.03811



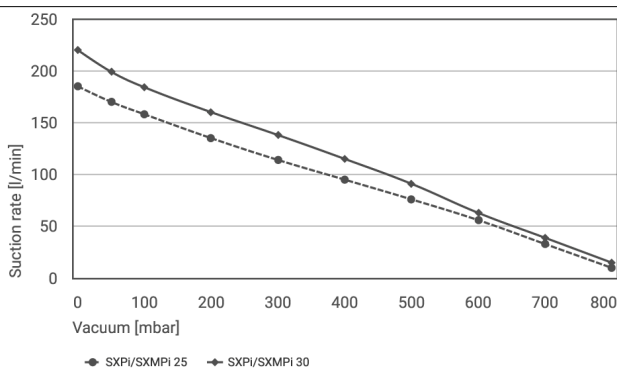
Performance data



Achievable vacuum at various operating pressures



Evacuation time for various vacuum ranges [s/l]



Suction rate at various degrees of evacuation [l/min]



Achievable vacuum at various operating pressures

	2	3	4	5	6	7
SXPI/SXMPi	550.00	780.00	900.00	880.00	860.00	835.00



Evacuation time for various vacuum ranges [s/l]

	50	100	200	300	400	500	600	700	800
SXPI/SXMPi 25	0.02	0.03	0.06	0.10	0.15	0.18	0.26	0.46	0.87
SXPI/SXMPi 30	0.01	0.02	0.05	0.08	0.11	0.15	0.22	0.37	0.69



Art.-Nr.: 10.02.02.03811

**Suction rate at various degrees of evacuation [l/min]**

	0	50	100	200	300	400	500	600	700	800
SXPi/SXMPi 25	185.00	170.00	158.00	135.00	114.00	95.00	76.00	56.00	33.00	10.00
SXPi/SXMPi 30	220.00	199.00	184.00	160.00	138.00	115.00	91.00	63.00	39.00	15.00

**Ordering Data Accessories 10.02.02.03811**

Typ		Item number
Connection cable	ASK B-M12-5 5000 K-5P	21.04.05.00080
Basic plate	GPQ1 122x46x43 SXPi/SXMPi	10.02.02.02473
Basic plate	GPQ2 122x87x48 SXPi/SXMPi	10.02.02.02154

**Ordering Data Spare Parts 10.02.02.03811**

Typ		Item number
Silencer (cube-shaped)	SD 96x54x40 SXPi/SXMPi	10.02.02.02124

**Ordering Data Wear Parts 10.02.02.03811**

Typ		Item number
Set of wearing parts ejector	VST SXMPi-15-30-SD	10.02.02.04543

