

Compact ejector
SCP 10 NO AS RD



Art.-Nr.: 10.02.02.00610



Technical data

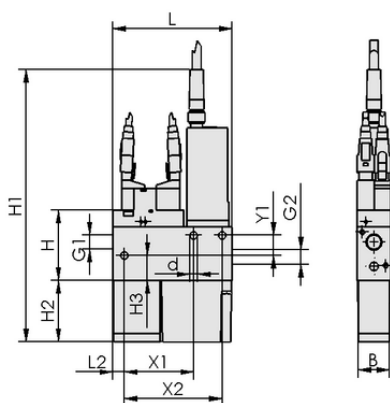
Attribute	Value
Nozzle diameter	1.0 mm
Air consumption suction	53.0 l/min
Suction rate (max.)	37.0 l/min
Pressure range (operating pressure) [bar]	bar
Shape compact ejectors	With blow-off system
Control valve	Normally open
Operation mode	Digital air-saving function

SCP 10 NO AS RD

Compact ejector SCP is delivered as a ready to connect product (without connection cable).

Available spare parts: silencer box, filter element

Available accessories: connection cable, connection plug



Design data

Attribute	Value
Length L2	7.00 mm
Length L	71.50 mm
Width B	20.20 mm
Height H1	205.00 mm
Height H2	36.50 mm
Height H	42.20 mm
Internal diameter d	4.50 mm
Thread G1	G1/8"-F
Thread G2	G1/8"-F
Height H3	15.00 mm
Hole spacing Y1	12.0 mm
Hole spacing X1	41.5 mm
Hole spacing X2	58.5 mm

Design data SCP 10 NO AS RD



WWW.SCHMALZ.COM/10.02.02.00610

Art.-Nr.: 10.02.02.00610

**Technical data**

Attribute	Value
Nozzle diameter	1.0 mm
Degree of evacuation	85.0 %
Suction rate (max.)	1.306 cfm
Product family	SCP
Control valve	Normally open

Note: The supply voltage for vacuum switches and solenoid valves is 24V DC Air consumption: At optimal operating pressure Hose diameter: For max. length 2 m

**Further documentation**

CAD data and other documents relating to the article can be found at: www.schmalz.com/10.02.02.00610

**Ordering Data Spare Parts 10.02.02.00610**

Typ		Item number
Filter insert (round)	FILT-EINS 13x33 PE-POR SCP	10.02.02.00655
Silencer (cube-shaped)	SD 28x19x31.5 SCP10/15	10.02.02.00653

