

Compact ejector  
**SCP 10 NC AS VD**



Art.-Nr.: 10.02.02.00608



**Technical data**

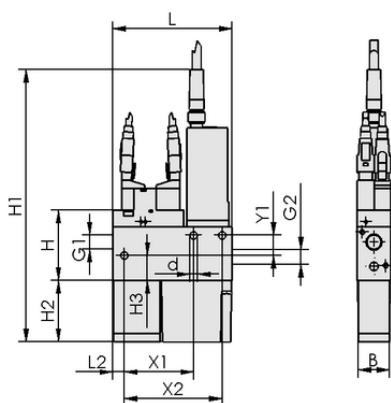
Attribute	Value
Nozzle diameter	1.0 mm
Air consumption suction	53.0 l/min
Suction rate (max.)	37.0 l/min
Pressure range (operating pressure) [bar]	bar
Shape compact ejectors	With blow-off system
Control valve	Normally closed
Operation mode	digital vacuum switch

SCP 10 NC AS VD

Compact ejector SCP is delivered as a ready to connect product (without connection cable).

Available spare parts: silencer box, filter element

Available accessories: connection cable, connection plug



Design data SCP 10 NC AS VD

**Design data**

Attribute	Value
Length L2	7.00 mm
Length L	71.50 mm
Width B	20.20 mm
Height H1	162.00 mm
Height H2	36.50 mm
Height H	42.20 mm
Internal diameter d	4.50 mm
Thread G1	G1/8"-F
Thread G2	G1/8"-F
Height H3	15.00 mm
Hole spacing Y1	12.0 mm
Hole spacing X1	41.5 mm
Hole spacing X2	58.5 mm



[WWW.SCHMALZ.COM/10.02.02.00608](http://WWW.SCHMALZ.COM/10.02.02.00608)

# Compact ejector

## SCP 10 NC AS VD



Art.-Nr.: 10.02.02.00608



### Technical data

Attribute	Value
Nozzle diameter	1.0 mm
Degree of evacuation	85.0 %
Suction rate (max.)	1.306 cfm
Product family	SCP
Control valve	Normally closed

Note: The supply voltage for vacuum switches and solenoid valves is 24V DC Air consumption: At optimal operating pressure Hose diameter: For max. length 2 m



### Further documentation

CAD data and other documents relating to the article can be found at: [www.schmalz.com/10.02.02.00608](http://www.schmalz.com/10.02.02.00608)



### Ordering Data Accessories 10.02.02.00608

Typ		Item number
Connection cable	ASK B-MIC10 3000 K-2P	21.04.06.00086
Connection cable	ASK B-M8-4 5000 K-4P	10.06.02.00031
Connection cable	ASK WB-M8-4 5000 K-4P	10.06.02.00032



### Ordering Data Spare Parts 10.02.02.00608

Typ		Item number
Filter insert (round)	FILT-EINS 13x33 PE-POR SCP	10.02.02.00655
Silencer (cube-shaped)	SD 28x19x31.5 SCP10/15	10.02.02.00653



[WWW.SCHMALZ.COM/10.02.02.00608](http://WWW.SCHMALZ.COM/10.02.02.00608)