

Compact ejector  
**SMP 20 NC AS VD**



Art.-Nr.: 10.02.02.00578



**Technical data**

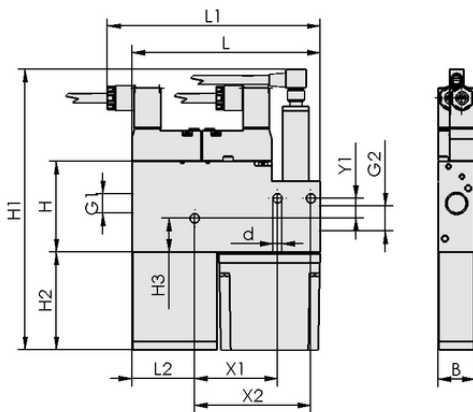
Nozzle diameter	2.0 mm
Air consumption suction	190.0 l/min
Suction rate (max.)	116.0 l/min
Pressure range (operating pressure) [bar]	5.0 ... 6.0 bar
Shape compact ejectors	With blow-off system
Control valve	Normally closed
Operation mode	digital vacuum switch

SMP 20 NC AS VD

Compact ejector SCP is delivered as a ready to connect product (without connection cable).

Available spare parts: silencer box, filter element

Available accessories: connection cable, connection plug



**Design data**

Length L2	37.50 mm
Length L	112.50 mm
Width B	22.00 mm
Height H1	181.50 mm
Height H2	58.50 mm
Height H	54.00 mm
Internal diameter d	5.50 mm
Thread G1	G1/4"-F
Thread G2	G3/8"-F
Height H3	20.10 mm
Hole spacing Y1	12.0 mm
Hole spacing X1	49.5 mm
Hole spacing X2	69.5 mm

Design data SMP 20 NC AS VD



[WWW.SCHMALZ.COM/10.02.02.00578](http://WWW.SCHMALZ.COM/10.02.02.00578)

# Compact ejector

## SMP 20 NC AS VD



Art.-Nr.: 10.02.02.00578



### Technical data

Nozzle diameter	2.0 mm
Degree of evacuation	85.0 %
Suction rate (max.)	4.096 cfm
Product family	SMP
Control valve	Normally closed

Note: The supply voltage for vacuum switches and solenoid valves is 24V DC Air consumption: At optimal operating pressure Hose diameter: For max. length 2 m



### Ordering Data Accessories 10.02.02.00578

Typ		Item number
Connection cable	ASK B-Form-C 5000 K-3P	21.04.06.00084
Connection cable	ASK B-M8-4 5000 K-4P	10.06.02.00031
Connection cable	ASK WB-M8-4 5000 K-4P	10.06.02.00032
Connection cable	ASK 10000 K-3P	21.04.06.00118
Connection plug	ASS B-C SK	21.04.06.00085



### Ordering Data Spare Parts 10.02.02.00578

Typ		Item number
Filter insert (round)	FILT-EINS 50 14x49 PE-POR SCP-SMP	10.02.02.00654
Silencer (cube-shaped)	SD 50.5x21x53.5 SMP15/20	10.02.02.00651



[WWW.SCHMALZ.COM/10.02.02.00578](http://WWW.SCHMALZ.COM/10.02.02.00578)