

Art.-Nr.: 10.02.02.00567

**Technical data**

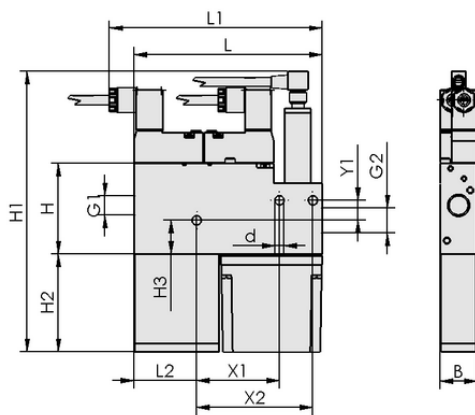
| Attribute | Value |
|---|-----------------------|
| Nozzle diameter | 1.5 mm |
| Air consumption suction | 117.0 l/min |
| Suction rate (max.) | 65.0 l/min |
| Pressure range (operating pressure) [bar] | 5.0 ... 6.0 bar |
| Shape compact ejectors | With blow-off system |
| Control valve | Normally open |
| Operation mode | digital vacuum switch |

SMP 15 NO AS VD

Compact ejector SCP is delivered as a ready to connect product (without connection cable).

Available spare parts: silencer box, filter element

Available accessories: connection cable, connection plug



Design data SMP 15 NO AS VD

Design data

| Attribute | Value |
|---------------------|-----------|
| Length L2 | 37.50 mm |
| Length L | 112.50 mm |
| Width B | 22.00 mm |
| Height H1 | 181.50 mm |
| Height H2 | 58.50 mm |
| Height H | 54.00 mm |
| Internal diameter d | 5.50 mm |
| Thread G1 | G1/4"-F |
| Thread G2 | G3/8"-F |
| Height H3 | 20.10 mm |
| Hole spacing Y1 | 12.0 mm |
| Hole spacing X1 | 49.5 mm |
| Hole spacing X2 | 69.5 mm |

Art.-Nr.: 10.02.02.00567

**Technical data**

| Attribute | Value |
|----------------------|---------------|
| Nozzle diameter | 1.5 mm |
| Degree of evacuation | 85.0 % |
| Suction rate (max.) | 2.295 cfm |
| Product family | SMP |
| Control valve | Normally open |

Note: The supply voltage for vacuum switches and solenoid valves is 24V DC Air consumption: At optimal operating pressure Hose diameter: For max. length 2 m

**Further documentation**

CAD data and other documents relating to the article can be found at: www.schmalz.com/10.02.02.00567

**Ordering Data Accessories 10.02.02.00567**

| Typ | | Item number |
|------------------|-----------------------------|----------------|
| Connection cable | ASK B-Form-C 5000 K-3P | 21.04.06.00084 |
| Connection cable | ASK B-M8-4 5000 K-4P | 10.06.02.00031 |
| Connection cable | ASK WB-M8-4 5000 K-4P | 10.06.02.00032 |
| Connection cable | ASK 10000 K-3P | 21.04.06.00118 |
| Connection plug | ASS B-C SK | 21.04.06.00085 |
| Distributor | ASV-IR SMP/SCP-20-30-NO 500 | 10.02.02.01684 |

**Ordering Data Spare Parts 10.02.02.00567**

| Typ | | Item number |
|------------------------|-----------------------------------|----------------|
| Filter insert (round) | FILT-EINS 50 14x49 PE-POR SCP-SMP | 10.02.02.00654 |
| Silencer (cube-shaped) | SD 50.5x21x53.5 SMP15/20 | 10.02.02.00651 |

