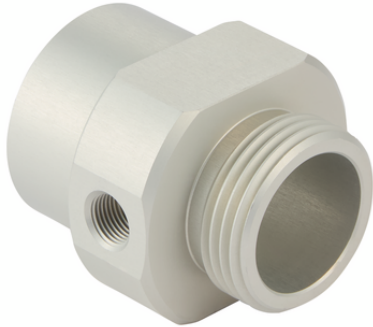


Extension (round)

VRL-R G1 50.3x39 AL



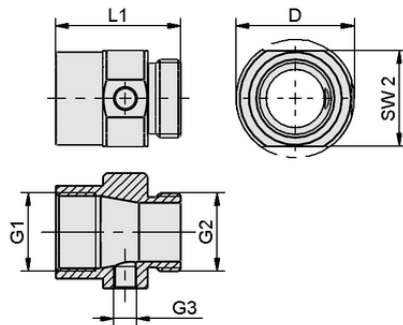
Art.-Nr.: 10.02.01.02093



Technical data

Attribute	Value
Material	Aluminum
Length L	39.00 mm
Outside diameter D	50.30 mm

VRL-R G1 50.3x39 AL



Design data

Attribute	Value
Length L1	53.00 mm
Length L	39.00 mm
Outside diameter D	50.30 mm
Nominal diameter dn	25.00 mm
Thread G1	G1"-F
Thread G2	G1"-M

Design data VRL-R G1 50.3x39 AL



Technical data

Attribute	Value
Weight	100.00 g
Material	Aluminum
Pressure range (operating pressure) [bar]	bar
Operating temperature	°C



WWW.SCHMALZ.COM/10.02.01.02093

1

Extension (round)

VRL-R G1 50.3x39 AL



Art.-Nr.: 10.02.01.02093



Further documentation

CAD data and other documents relating to the article can be found at: www.schmalz.com/10.02.01.02093



WWW.SCHMALZ.COM/10.02.01.02093