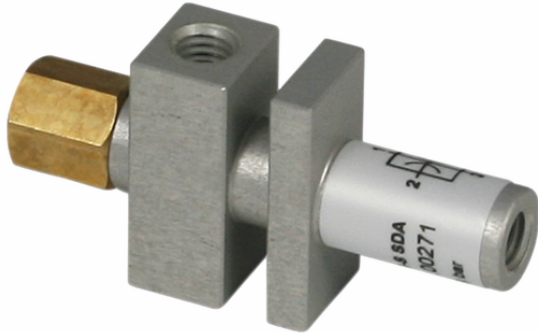


Art.-Nr.: 10.02.01.00272

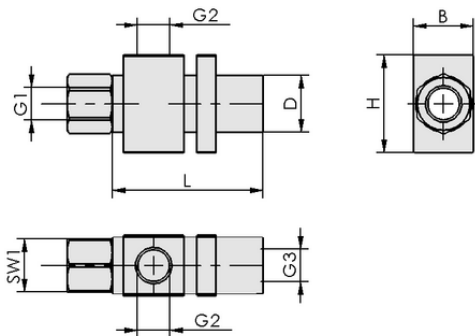
**Technical data**

Attribute	Value
Nozzle diameter	0.5 mm
Air consumption suction	13.0 l/min
Suction rate (max.)	7.0 l/min
Shape	narrow

SEG 05 HS-S

The basic ejector SEG is delivered as a ready-to-connect product.

Available spare parts: silencer

**Design data**

Attribute	Value
Length L	40.50 mm
Width B	10.00 mm
Height H	20.00 mm
Outside diameter D	8.00 mm
Thread G1	M5-F
Thread G2	M5-F
Key width SW1	8.0 mm
Thread G3	M5-F

Design data SEG 05 HS-S



Art.-Nr.: 10.02.01.00272

**Technical data**

Attribute	Value
Nozzle diameter	0.5 mm
Recommended hose internal diameter compressed air	2.0 mm
Recommended hose internal diameter vacuum	2.0 mm
Degree of evacuation	82.0 %
Weight	10.00 g
Air consumption suction	0.459 cfm
Suction rate (max.)	0.247 cfm
Optimal operating pressure	5.00 bar
Pressure range (operating pressure) [bar]	3.0 ... 6.0 bar
Operating temperature	-10 ... 80 °C
Pressure range (operating pressure) [psi]	43.5 ... 87.0
Optimal pressure	72.5 psi
Product family	SEG

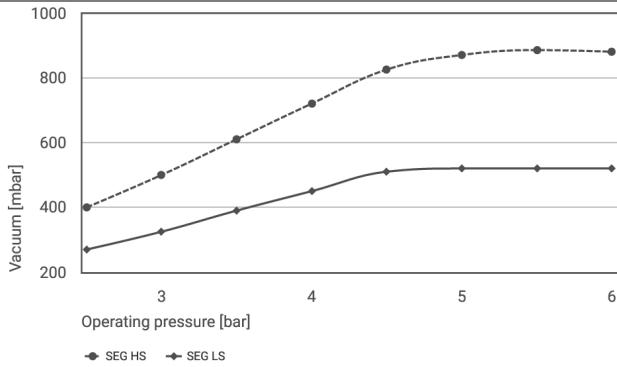
Note: Air consumption: At optimal operating pressure Hose diameter: For max. length 2 m



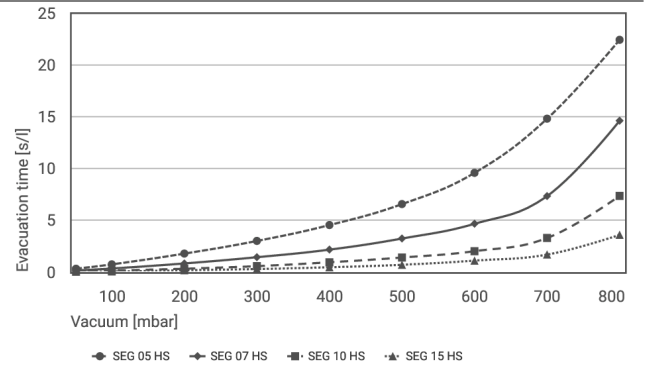
Art.-Nr.: 10.02.01.00272



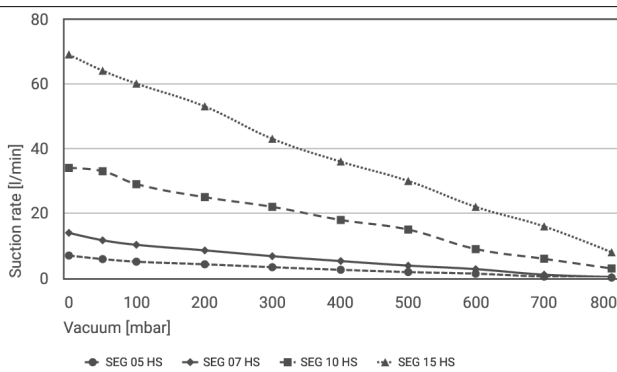
**Performance data**



Achievable vacuum at various operating pressures



Evacuation time for various vacuum ranges [s/l]



Suction rate at various degrees of evacuation [l/min]



**Achievable vacuum at various operating pressures**

	2.5	3	3.5	4	4.5	5	5.5	6
SEG HS	400.00	500.00	610.00	720.00	825.00	870.00	885.00	880.00
SEG LS	270.00	325.00	390.00	450.00	510.00	520	520	520



Art.-Nr.: 10.02.01.00272

**Evacuation time for various vacuum ranges [s/l]**

	50	100	200	300	400	500	600	700	800
SEG 05 HS	0.34	0.76	1.80	3.02	4.55	6.57	9.58	14.80	22.40
SEG 07 HS	0.17	0.36	0.85	1.45	2.18	3.25	4.67	7.34	14.60
SEG 10 HS	0.09	0.16	0.34	0.59	0.96	1.42	2.03	3.30	7.36
SEG 15 HS	0.05	0.07	0.19	0.31	0.48	0.72	1.12	1.70	3.60

**Suction rate at various degrees of evacuation [l/min]**

	0	50	100	200	300	400	500	600	700	800
SEG 05 HS	7	5.9	5.1	4.3	3.4	2.6	1.9	1.4	0.5	0.2
SEG 07 HS	14	11.7	10.3	8.6	6.8	5.3	3.9	2.8	1.1	0.4
SEG 10 HS	34	33	29	25	22	18	15	9	6	3
SEG 15 HS	69	64	60	53	43	36	30	22	16	8

**Further documentation**CAD data and other documents relating to the article can be found at: [www.schmalz.com/10.02.01.00272](http://www.schmalz.com/10.02.01.00272)**Ordering Data Accessories 10.02.01.00272**

Typ		Item number
Vacuum filter (inline)	VFI CN6/4 50	10.07.01.00241
Vacuum filter (inline)	VFI 4/2 50	10.07.01.00329
Vacuum filter (inline)	VFI CN8/6 50	10.07.01.00245
Vacuum filter (inline)	VFI 6/4 50	10.07.01.00328

