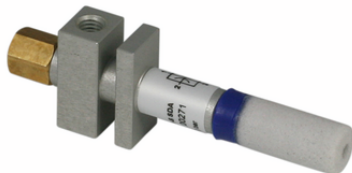


Art.-Nr.: 10.02.01.00271



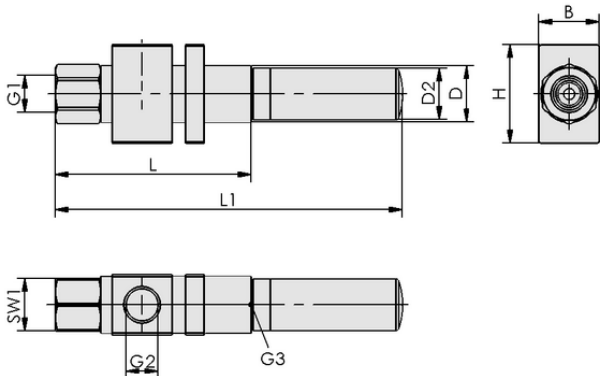
Technical data

Nozzle diameter	0.5 mm
Air consumption suction	13.0 l/min
Suction rate (max.)	7.0 l/min
Additional function	Silencer axial
Shape	narrow

SEG 05 HS-S SDA

The basic ejector SEG is delivered as a ready-to-connect product.

Available spare parts: silencer



Design data

Length L1	64.50 mm
Length L	40.50 mm
Width B	10.00 mm
Height H	20.00 mm
Outside diameter D2	8.4 mm
Outside diameter D	8.00 mm
Thread G1	M5-F
Thread G2	M5-F
Key width SW1	8.0 mm
Thread G3	M5-F

Design data SEG 05 HS-S SDA



Art.-Nr.: 10.02.01.00271

**Technical data**

Nozzle diameter	0.5 mm
Recommended hose internal diameter compressed air	2.0 mm
Recommended hose internal diameter vacuum	2.0 mm
Degree of evacuation	82.0 %
Sound pressure level suction	68.0 dB(A)
Sound pressure level free	75.0 dB(A)
Weight	11.00 g
Air consumption suction	0.459 cfm
Suction rate (max.)	0.247 cfm
Optimal operating pressure	5.00 bar
Pressure range (operating pressure) [bar]	3.0 ... 6.0 bar
Operating temperature	-10 ... 80 °C
Pressure range (operating pressure) [psi]	43.5 ... 87.0
Optimal pressure	72.5 psi
Product family	SEG

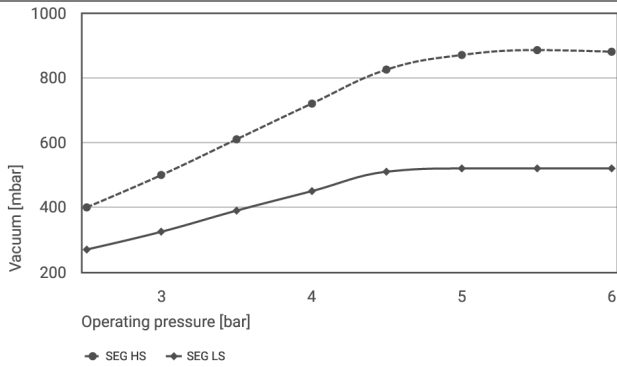
Note: Air consumption: At optimal operating pressure Hose diameter: For max. length 2 m



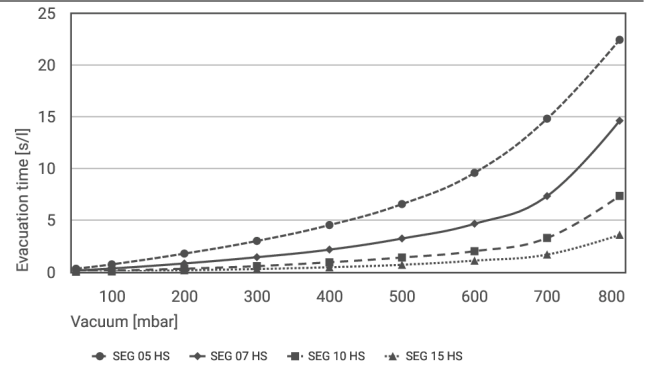
Art.-Nr.: 10.02.01.00271



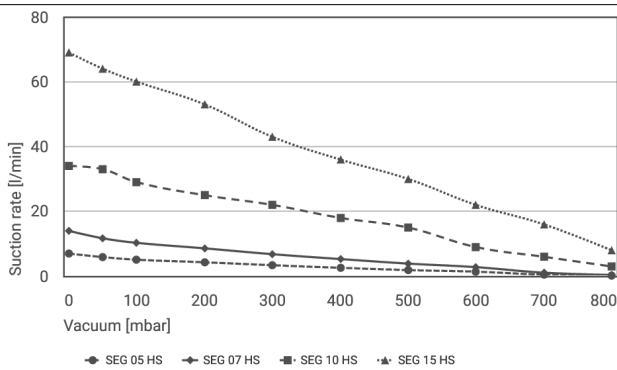
Performance data



Achievable vacuum at various operating pressures



Evacuation time for various vacuum ranges [s/l]



Suction rate at various degrees of evacuation [l/min]



Achievable vacuum at various operating pressures

	2.5	3	3.5	4	4.5	5	5.5	6
SEG HS	400.00	500.00	610.00	720.00	825.00	870.00	885.00	880.00
SEG LS	270.00	325.00	390.00	450.00	510.00	520	520	520



Art.-Nr.: 10.02.01.00271

**Evacuation time for various vacuum ranges [s/l]**

	50	100	200	300	400	500	600	700	800
SEG 05 HS	0.34	0.76	1.80	3.02	4.55	6.57	9.58	14.80	22.40
SEG 07 HS	0.17	0.36	0.85	1.45	2.18	3.25	4.67	7.34	14.60
SEG 10 HS	0.09	0.16	0.34	0.59	0.96	1.42	2.03	3.30	7.36
SEG 15 HS	0.05	0.07	0.19	0.31	0.48	0.72	1.12	1.70	3.60

**Suction rate at various degrees of evacuation [l/min]**

	0	50	100	200	300	400	500	600	700	800
SEG 05 HS	7	5.9	5.1	4.3	3.4	2.6	1.9	1.4	0.5	0.2
SEG 07 HS	14	11.7	10.3	8.6	6.8	5.3	3.9	2.8	1.1	0.4
SEG 10 HS	34	33	29	25	22	18	15	9	6	3
SEG 15 HS	69	64	60	53	43	36	30	22	16	8

**Ordering Data Accessories 10.02.01.00271**

Typ		Item number
Vacuum filter (inline)	VFI CN6/4 50	10.07.01.00241
Vacuum filter (inline)	VFI 4/2 50	10.07.01.00329
Vacuum filter (inline)	VFI CN8/6 50	10.07.01.00245
Vacuum filter (inline)	VFI 6/4 50	10.07.01.00328

**Ordering Data Spare Parts 10.02.01.00271**

Typ		Item number
Silencer (round)	SD M5-AG 9x24	10.02.01.00539

