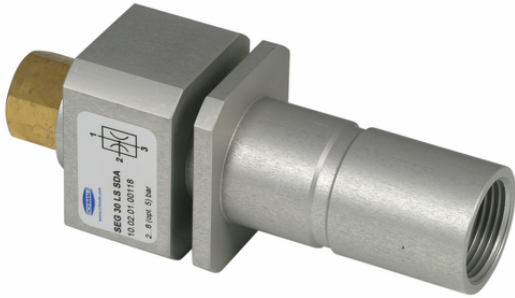


Basic Ejector SEG 30 LS



Art.-Nr.: 10.02.01.00260



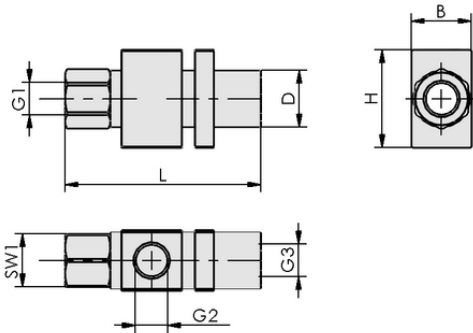
Technical data

Nozzle diameter	3.0 mm
Air consumption suction	392.0 l/min
Suction rate (max.)	370.0 l/min
Shape	For high suction capacity

SEG 30 LS

The basic ejector SEG is delivered as a ready-to-connect product.

Available spare parts: silencer



Design data

Length L	127.00 mm
Width B	42.00 mm
Height H	50.00 mm
Outside diameter D	32.00 mm
Thread G1	G3/8"-F
Thread G2	G1/2"-F
Key width SW1	22.0 mm
Thread G3	G3/4"-F

Design data SEG 30 LS



WWW.SCHMALZ.COM/10.02.01.00260

1

Basic Ejector
SEG 30 LS



Art.-Nr.: 10.02.01.00260



Technical data

Nozzle diameter	3.0 mm
Recommended hose internal diameter compressed air	6.0 mm
Recommended hose internal diameter vacuum	12.0 mm
Degree of evacuation	55.0 %
Weight	352.00 g
Air consumption suction	13.843 cfm
Suction rate (max.)	13.066 cfm
Optimal operating pressure	5.00 bar
Pressure range (operating pressure) [bar]	3.0 ... 6.0 bar
Operating temperature	-10 ... 80 °C
Pressure range (operating pressure) [psi]	43.5 ... 87.0
Optimal pressure	72.5 psi
Product family	SEG

Note: Air consumption: At optimal operating pressure Hose diameter: For max. length 2 m

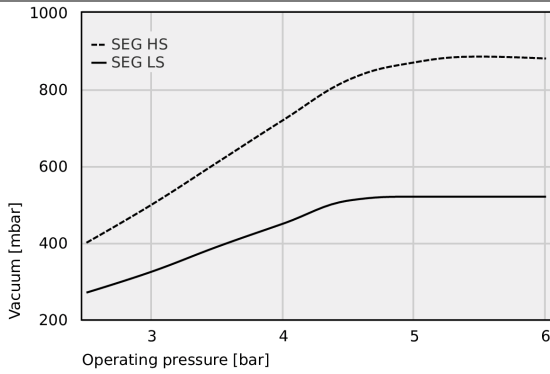


WWW.SCHMALZ.COM/10.02.01.00260

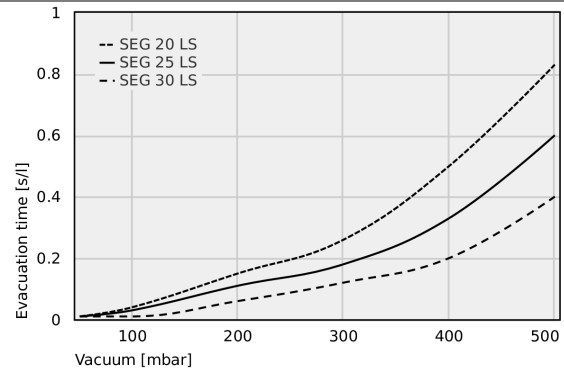
Art.-Nr.: 10.02.01.00260



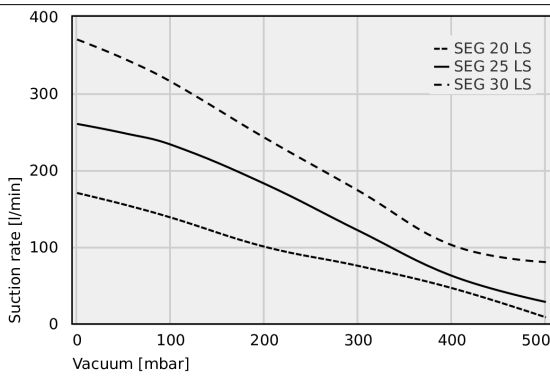
Performance data



Achievable vacuum at various operating pressures



Evacuation time for various vacuum ranges [s/l]



Suction rate at various degrees of evacuation [l/min]



Achievable vacuum at various operating pressures

	2.5	3	3.5	4	4.5	5	5.5	6
SEG HS	400.00	500.00	610.00	720.00	825.00	870.00	885.00	880.00
SEG LS	270.00	325.00	390.00	450.00	510.00	520	520	520



Basic Ejector
SEG 30 LS



Art.-Nr.: 10.02.01.00260



Evacuation time for various vacuum ranges [s/l]

	50	100	200	300	400	500
SEG 20 LS	0.01	0.04	0.15	0.26	0.50	0.83
SEG 25 LS	0.01	0.03	0.11	0.18	0.33	0.60
SEG 30 LS	0.01	0.01	0.06	0.12	0.20	0.40



Suction rate at various degrees of evacuation [l/min]

	0	50	100	200	300	400	500
SEG 20 LS	170	155	138	100	75	46	8
SEG 25 LS	260	248	233	182	121	62	28
SEG 30 LS	370	345	315	242	173	102	80



Ordering Data Accessories 10.02.01.00260

Typ		Item number
Vacuum cup filter	VFT G3/4-IG 80	10.07.01.00128



WWW.SCHMALZ.COM/10.02.01.00260