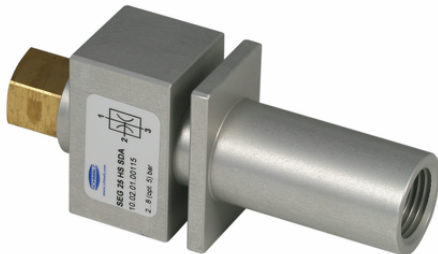


# Basic Ejector SEG 25 HS



Art.-Nr.: 10.02.01.00257



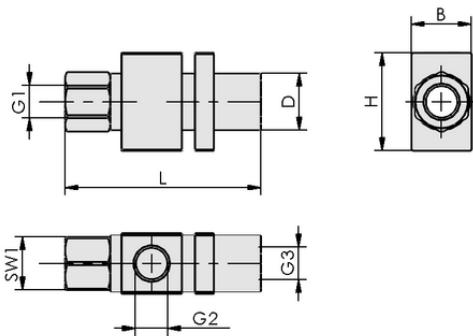
## Technical data

Nozzle diameter	2.5 mm
Air consumption suction	275.0 l/min
Suction rate (max.)	184.0 l/min
Shape	For high vacuum

SEG 25 HS

The basic ejector SEG is delivered as a ready-to-connect product.

Available spare parts: silencer



## Design data

Length L	117.00 mm
Width B	32.00 mm
Height H	50.00 mm
Outside diameter D	28.00 mm
Thread G1	G3/8"-F
Thread G2	G1/2"-F
Key width SW1	22.0 mm
Thread G3	G1/2"-F

Design data SEG 25 HS



[WWW.SCHMALZ.COM/10.02.01.00257](http://WWW.SCHMALZ.COM/10.02.01.00257)

1

Basic Ejector  
**SEG 25 HS**



Art.-Nr.: 10.02.01.00257



**Technical data**

Nozzle diameter	2.5 mm
Recommended hose internal diameter compressed air	6.0 mm
Recommended hose internal diameter vacuum	12.0 mm
Degree of evacuation	85.0 %
Weight	273.00 g
Air consumption suction	9.711 cfm
Suction rate (max.)	6.497 cfm
Optimal operating pressure	5.00 bar
Pressure range (operating pressure) [bar]	3.0 ... 6.0 bar
Operating temperature	-10 ... 80 °C
Pressure range (operating pressure) [psi]	43.5 ... 87.0
Optimal pressure	72.5 psi
Product family	SEG

Note: Air consumption: At optimal operating pressure Hose diameter: For max. length 2 m

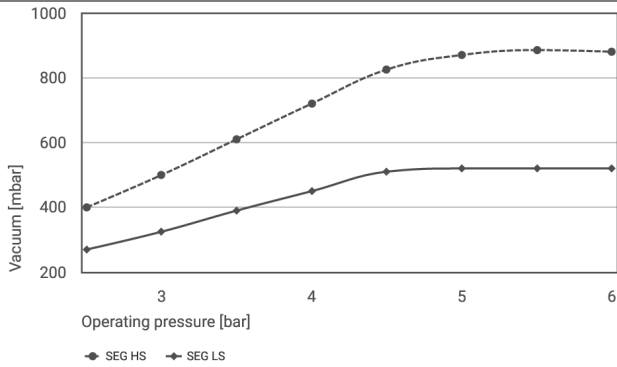


[WWW.SCHMALZ.COM/10.02.01.00257](http://WWW.SCHMALZ.COM/10.02.01.00257)

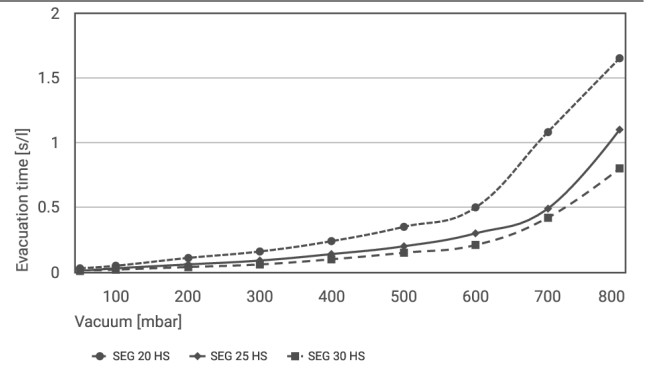
Art.-Nr.: 10.02.01.00257



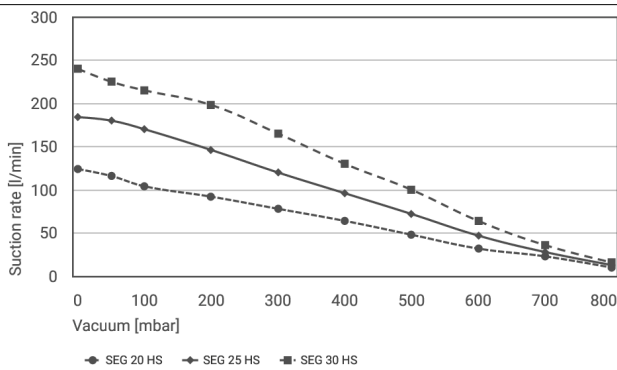
**Performance data**



Achievable vacuum at various operating pressures



Evacuation time for various vacuum ranges [s/l]



Suction rate at various degrees of evacuation [l/min]



**Achievable vacuum at various operating pressures**

	2.5	3	3.5	4	4.5	5	5.5	6
SEG HS	400.00	500.00	610.00	720.00	825.00	870.00	885.00	880.00
SEG LS	270.00	325.00	390.00	450.00	510.00	520	520	520



Art.-Nr.: 10.02.01.00257



**Evacuation time for various vacuum ranges [s/l]**

	50	100	200	300	400	500	600	700	800
SEG 20 HS	0.03	0.05	0.11	0.16	0.24	0.35	0.50	1.08	1.65
SEG 25 HS	0.01	0.03	0.06	0.09	0.14	0.20	0.3	0.49	1.10
SEG 30 HS	0.01	0.02	0.04	0.06	0.10	0.15	0.21	0.42	0.80



**Suction rate at various degrees of evacuation [l/min]**

	0	50	100	200	300	400	500	600	700	800
SEG 20 HS	124	116	104	92	78	64	48	32	23	10
SEG 25 HS	184	180	170	146	120	96	72	47	28	13
SEG 30 HS	240	225	215	198	165	130	100	64	36	16



**Ordering Data Accessories 10.02.01.00257**

Typ	Item number
Vacuum cup filter	VFT G3/8-IG 80 10.07.01.00122

