

Art.-Nr.: 10.01.42.00052

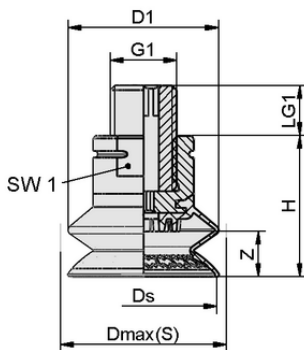


Technical data

Suction cup material	Elastodur ED
Material hardness [Shore A]	85.0 Shore A
Size	50.00
Number of folds	1.5
Connection	G3/8-AG
Nipple material	Aluminum

SAXB 50 ED-85 G3/8-AG

Bellows suction cup SAXB, available in various diameters, is supplied with a positively overmolded connection nipple.



Design data

Height H	36.90 mm
Outside diameter D1	43.2 mm
Thread G1	G3/8"-M
Thread length LG1	10.0 mm
Key width SW1	22.0 mm
Spring stroke Z	11.6 mm
Diameter Ds	49.6 mm
Diameter Dmax(S)	55.0 mm

Design data SAXB 50 ED-85 G3/8-AG

Art.-Nr.: 10.01.42.00052

**Technical data**

Suction cup material	Elastodur ED
Material hardness [Shore A]	85.0 Shore A
Hose inner diameter (recom.) d	6.0 mm
Workpiece radius min. (convex)	22.0 mm
Suction force (-600mbar)	58.00 N
Weight	36.80 g
Lateral force	78.0 N
Lateral force oily surface	67.0 N
Volume	18.900 cm ³
Size	50.00
Number of folds	1.5
Connection	G3/8"-M
Product family	SAXB

Note: Suction force: The suction force values are theoretical values at -0.6 bar vacuum and a dry, smooth and even workpiece surface – they are specified without safety factors. Hose inner diameter: The recommended hose diameter refers to a hose length of approx. 2 m

