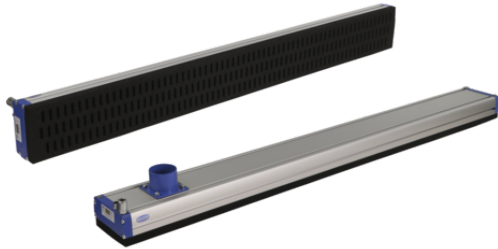


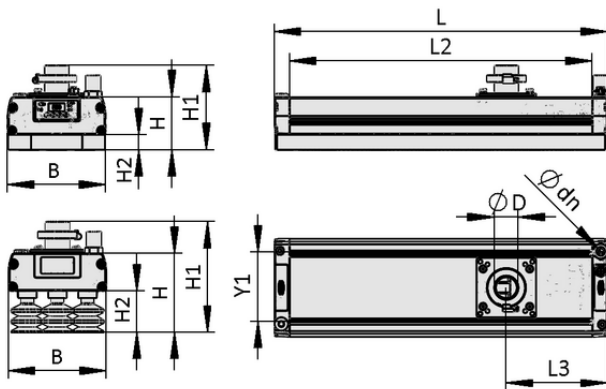
Art.-Nr.: 10.01.38.10076



FA-Mi SVK 1234 3R18 O20

Technical data

Attribute	Value
Material type	Foam open, height 20 mm
Function	Intelligent
Length L	1,234.00 mm
Width B	130.00 mm
Valve type	Check valve
Suction force at -250 mbar	1,640.00 N
Arrangement suction cells	3 rows, 18 mm



Design data FA-Mi SVK 1234 3R18 O20

Design data

Attribute	Value
Length L2	1,194.00 mm
Length L	1,234.00 mm
Width B	130.00 mm
Height H1	117.00 mm
Height H2	20.00 mm
Height H	70.00 mm
Outside diameter D	60.00 mm
Nominal diameter dn	12.00 mm
Length L3	134.30 mm
Hole spacing Y1	90.0 mm
Valve type	Check valve

Vacuum Area Gripping System FA-M
FA-Mi SVK 1234 3R18 O20



Art.-Nr.: 10.01.38.10076



Technical data

Attribute	Value
Construction vacuum switch	PNP switching
Weight	5.900 kg
Material type	Foam open, height 20 mm
Number of suction cells	199
Function	Intelligent
Optimal operating pressure	5.00 bar
Control valve	Normally open
Voltage	24V - DC
Electrical connection	Fem connect M12, 5 pol
Sealing element	Sealing Foam
Suction force at -250 mbar	1,640.00 N
Arrangement suction cells	3 rows, 18 mm



Further documentation

CAD data and other documents relating to the article can be found at: www.schmalz.com/10.01.38.10076



Ordering Data Accessories 10.01.38.10076

Typ		Item number
Mounting set	SET FA-X/FA-M 4NUTSTEIN	10.01.38.09689
Mounting set	SET FA-X/FA-M	10.01.38.09732
Flange module	MOD-FLAN 120x120 FA-X/FA-M	10.01.38.09734
Flange module	MOD-FLAN 176.6x118 FA-X/FA-M	10.01.38.10701
Suspension, flexible	FST-FLEX 50 HD1 G1/2-AG G3/8-IG	10.01.10.05687
Suspension, rigid	FST-STARR 50 HD1 G1/2-AG G3/8-IG	10.01.10.05809
Flexolink	FLK G1/2-IG G1/2-AG	10.01.03.00175
Flange plate	FLAN-PL 120x85x10 ST FA-X/FA-M	10.01.38.09746
Flange plate	FLAN-PL 120x120x10 FA-X/FA-M	10.01.38.09733
Connection cable	ASK B-M12-5 5000 K-5P	21.04.05.00080
Connection cable	ASK B-M12-5 2000 S-M12-5	21.04.05.00211
Distributor	ASV SM/CPi B-M12-5 2xS-M12-4	10.02.02.03490



Ordering Data Spare Parts 10.01.38.10076

Typ		Item number
Ball	KUG 5.2 5401 CR-ST G100	10.02.02.02414
Sealing frame	DI-RA 116.6x48.9 EPDM FA-Xc	10.01.38.08523



WWW.SCHMALZ.COM/10.01.38.10076

Vacuum Area Gripping System FA-M
FA-Mi SVK 1234 3R18 O20



Art.-Nr.: 10.01.38.10076



Ordering Data Wear Parts 10.01.38.10076

Typ		Item number
Seal. plate (FXP-i/FMP-i/FA-X/FA-M)	DI-PL 1234x128 3R18 LL-20x7 O20 KE	10.01.38.07241



WWW.SCHMALZ.COM/10.01.38.10076